

IMDC/x/S/L



Standard IDC/FRC Module with 1:1 Screw Connections

- Housed in V0 fire retardant grade PVC mounting track.
- Ease of connection with the use of standard screw connection PCB Terminal Blocks or Screwless Terminal Blocks
- Maximum current rating of 2 A per pin.
- Available with all standard pin configurations from 10 to 64.
- Available with LED indication.
- Possibility of mounting circuit components between the pins of IDC connectors.
- Mounting options available: DIN Rail mounting & Panel mounting.

GENERAL SPECIFICATION

Ambient Operating Temperature	-20 to 50 °C
Housing Colour	Green
Housing Material	PVC / V0 Grade
Mounting Possibility	DIN32 / DIN35 / DIN35-15 / PANEL

CONNECTION SPECIFICATIONS

Type of Connection	Screw Connection
Min. Wire Size	0.5 mm ²
Max. Wire Size	2.5 mm ²
Min. Wire Size(AWG)	30 AWG
Max. Wire Size(AWG)	14 AWG
Wire Stripping Length	8.3 mm
Torque	0.5 Nm
Torque	4.5 lb-in

IDC / FRC CONNECTOR SPECIFICATIONS

Housing Material	PBT, glass reinforced
Contact Material	Brass
Rated Current / Pin	2 A
Contact Resistance	30m ohms maximum
Insulation Resistance	3000M ohms minimum
Dielectric Withstanding Voltage	500VAC for 1 minute

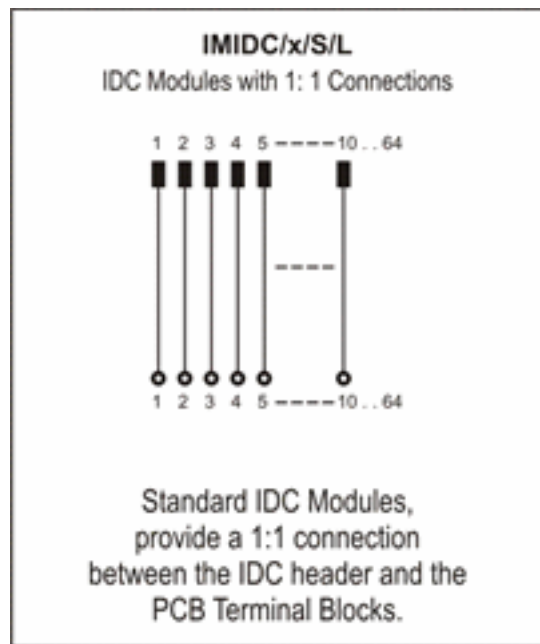
IDC / FRC Connector Approvals



ACCESSORIES

IMAGES	CAT. NO.	DESCRIPTION	STD. PACK
	CA501-1M	Din 32 Rail unslotted 1 meter	50
	CA501-1M-S	Din 32 Rail slotted 1 meter	50
	CA501-2M	Din 32 Rail unslotted 2 meter	50
	CA501-2M-S	Din 32 Rail slotted 2 meter	50
	CA701-1M	Din 35 Rail unslotted 1 meter	50
	CA701-2M	Din 35 Rail unslotted 2 meter	50
	CA701-2M-S	Din 35 Rail slotted 2 meter	50
	CA701-1M-S	Din 35 Rail slotted 1 meter	50
	CA701-15-1M	Din 35 Rail 15 deep unslotted 1 meter	50
	CA701-15-1M-S	Din 35 Rail 15 deep slotted 1 meter	50
	CA701-15-2M	Din 35 Rail 15 deep unslotted 2 meter	50
	CA701-15-2M-S	Din 35 Rail 15 deep slotted 2 meter	50
	CA509/K2	Marking Tag Blank suitable for CDL4U / CDL4U(I,S) / CTL2.5U / CTL2.5UH / CTL2.5UL / CTL2.5HUL / CTL2.5U(I,S) / CTL2.5U(I,S)D2 / CGMT4 / CSFL4U / CSFL4U(L) / CMT4 / CMB4 / ASF4 / ASF4(L) / CTS2.5()	100
	SCS0.5/3	Electricians Screwdriver for slotted screws	10

CIRCUIT DIAGRAM



ORDERING INFORMATION

CAT. NO.	DESCRIPTION	NO. OF CHN.	DIM. DET.	STD. PACK
IMDC/10/S/L	10 Pin Standard IDC Module with Long Latch IDC Connector Rail Mount	8	135 X 88 X 74	1
IMDC/14/S/L	14 Pin Standard IDC Module Long Latch IDC Connector with Rail Mount	1	20 X 88 X 74	5
IMDC/16/S/L	16 Pin Standard IDC Module with Long Latch IDC Connector Rail Mount	2	36 X 88 X 74	1
IMDC/20/S/L	20 Pin Standard IDC Module with Long Latch IDC Connector Rail Mount	4	69 X 88 X 74	1
IMDC/26/S/L	26 Pin Standard IDC Module with Long Latch IDC Connector Rail Mount	8	135 X 88 X 74	1
IMDC/34/S/L	34 Pin Standard IDC Module with Long Latch IDC Connector Rail Mount	1	23 X 120 X 74	1
IMDC/40/S/L	40 Pin Standard IDC Module with Long Latch IDC Connector Rail Mount	2	39 X 120 X 74	1
IMDC/50/S/L	50 Pin Standard IDC Module with Long Latch IDC Connector Rail Mount	4	69 X 120 X 74	1
IMDC/60/S/L	60 Pin Standard IDC Module with Long Latch IDC Connector Rail Mount	8	130 X 120 X 74	1
IMDC/64/S/L	64 Pin Standard IDC Module with Long Latch IDC Connector Rail Mount	16	252 X 120 X 74	1

NOTES

- * PANEL mounting modules are available on request. Please use the suffix -P with the above cat. no. for ordering.
- ** Standard IDC Modules available with Long Latch IDC Connectors, Short Latch IDC Connectors available on request.
- *** Module Lengths mentioned are for RAIL Mounting option only. The lengths may vary for PANEL Mounting.
- **** Cable and Female IDC connector available on request.

IMDC/x/SC/L



Spring Cage IDC/FRC Module With 1:1 Spring Connections

- Housed in V0 fire retardant grade PVC mounting track.
- Ease of connection with the use of standard screw connection PCB Terminal Blocks or Screwless Terminal Blocks
- Maximum current rating of 2 A per pin.
- Available with all standard pin configurations from 10 to 64.
- Available with LED indication.
- Possibility of mounting circuit components between the pins of IDC connectors.
- Mounting options available: DIN Rail mounting & Panel mounting.

GENERAL SPECIFICATION

Ambient Operating Temperature	-20 to 50 °C
Housing Colour	Green
Housing Material	PVC / V0 Grade
Mounting Possibility	DIN32 / DIN35 / DIN35-15 / PANEL

CONNECTION SPECIFICATIONS

Type of Connection	Screw Connection
Min. Wire Size	0.5 mm ²
Max. Wire Size	2.5 mm ²
Min. Wire Size(AWG)	30 AWG
Max. Wire Size(AWG)	14 AWG
Wire Stripping Length	8.3 mm
Torque	0.5 Nm
Torque	4.5 lb-in

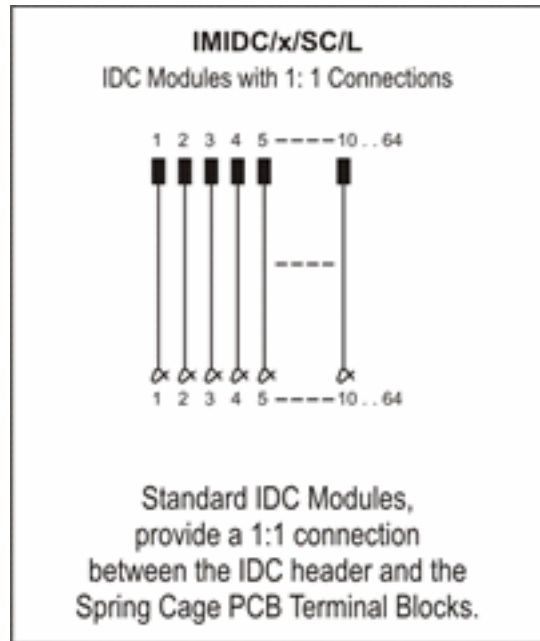
IDC / FRC CONNECTOR SPECIFICATIONS

Housing Material	PBT, glass reinforced
Contact Material	Brass
Rated Current / Pin	2 A
Contact Resistance	30m ohms maximum
Insulation Resistance	3000M ohms minimum
Dielectric Withstanding Voltage	500VAC for 1 minute
IDC / FRC Connector Approvals	

ACCESSORIES

IMAGES	CAT. NO.	DESCRIPTION	STD. PACK
	CA501-1M	Din 32 Rail unslotted 1 meter	50
	CA501-1M-S	Din 32 Rail slotted 1 meter	50
	CA501-2M	Din 32 Rail unslotted 2 meter	50
	CA501-2M-S	Din 32 Rail slotted 2 meter	50
	CA701-1M	Din 35 Rail unslotted 1 meter	50
	CA701-2M	Din 35 Rail unslotted 2 meter	50
	CA701-2M-S	Din 35 Rail slotted 2 meter	50
	CA701-1M-S	Din 35 Rail slotted 1 meter	50
	CA701-15-1M	Din 35 Rail 15 deep unslotted 1 meter	50
	CA701-15-1M-S	Din 35 Rail 15 deep slotted 1 meter	50
	CA701-15-2M	Din 35 Rail 15 deep unslotted 2 meter	50
	CA701-15-2M-S	Din 35 Rail 15 deep slotted 2 meter	50
	CA509/K2	Marking Tag Blank suitable for CDL4U / CDL4U(I,S) / CTL2.5U / CTL2.5UH / CTL2.5U(L,S) / CTL2.5U(L,S)D2 / CGMT4 / CSFL4U / CSFL4U(L) / CMT4 / CMB4 / ASF4 / ASF4(L) / CTS2.5()	100
	SCS0.5/3	Electricians Screwdriver for slotted screws	10

CIRCUIT DIAGRAM



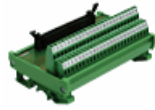
ORDERING INFORMATION

CAT. NO.	DESCRIPTION	NO. OF CHN.	DIM. DET.	STD. PACK
IMDC/10/SC/L	10 Pin Spring Cage IDC/FRC Module with Long Latch IDC Connector Rail Mount	1	23 X 120 X 74	1
IMDC/14/SC/L	14 Pin Spring Cage IDC/FRC Module with Long Latch IDC Connector Rail Mount	2	39 X 120 X 74	1
IMDC/16/SC/L	16 Pin Spring Cage IDC/FRC Module with Long Latch IDC Connector Rail Mount	4	69 X 120 X 74	1
IMDC/20/SC/L	20 Pin Spring Cage IDC/FRC Module with Long Latch IDC Connector Rail Mount	8	130 X 120 X 74	1
IMDC/26/SC/L	26 Pin Spring Cage IDC/FRC Module with Long Latch IDC Connector Rail Mount	16	219 X 120 X 74	1
IMDC/34/SC/L	34 Pin Spring Cage IDC/FRC Module with Long Latch IDC Connector Rail Mount	1	26 X 120 X 74	1
IMDC/40/SC/L	40 Pin Spring Cage IDC/FRC Module with Long Latch IDC Connector Rail Mount	2	52 X 120 X 74	1
IMDC/50/SC/L	50 Pin Spring Cage IDC/FRC Module with Long Latch IDC Connector Rail Mount	4	102 X 120 X 74	1
IMDC/60/SC/L	60 Pin Spring Cage IDC/FRC Module with Long Latch IDC Connector Rail Mount	8	190 X 120 X 74	1
IMDC/64/SC/L	64 Pin Spring Cage IDC/FRC Module with Long Latch IDC Connector Rail Mount	16	312 X 120 X 74	1

NOTES

- * PANEL mounting modules are available on request. Please use the suffix -P with the above cat. no. for ordering.
- ** Standard IDC Modules available with Long Latch IDC Connectors, Short Latch IDC Connectors available on request.
- *** Module Lengths mentioned are for RAIL Mounting option only. The lengths may vary for Panel Mounting.
- **** Cable and Female IDC connector available on request.

IMIDC/x/H/L



IDC/FRC Module with Component Mounting Hole

- Ease of connection.
- Housed in V0 fire retardant grade PVC mounting track.
- Ease of connection with the use of standard screw connection PCB Terminal Blocks or Screwless Terminal Blocks
- Maximum current rating of 2 A per pin.
- Available with all standard pin configurations from 10 to 64.
- Available with LED indication.
- Possibility of mounting circuit components between the pins of IDC connectors.
- Mounting options available: DIN Rail mounting & Panel mounting.

GENERAL SPECIFICATION

Ambient Operating Temperature	-20 to 50 °C
Component Mounting Hole Diameter	1 mm
Housing Colour	Green
Housing Material	PVC / V0 Grade
Mounting Possibility	DIN32 / DIN35 / DIN35-15 / PANEL

CONNECTION SPECIFICATIONS

Type of Connection	Screw Connection
Min. Wire Size	0.5 mm ²
Max. Wire Size	2.5 mm ²
Min. Wire Size(AWG)	30 AWG
Max. Wire Size(AWG)	14 AWG
Wire Stripping Length	8.3 mm
Torque	0.5 Nm
Torque	4.5 lb-in

IDC / FRC CONNECTOR SPECIFICATIONS

Housing Material	PBT, glass reinforced
Contact Material	Brass
Rated Current / Pin	2 A
Contact Resistance	30m ohms maximum
Insulation Resistance	3000M ohms minimum
Dielectric Withstanding Voltage	500VAC for 1 minute

IDC / FRC Connector Approvals



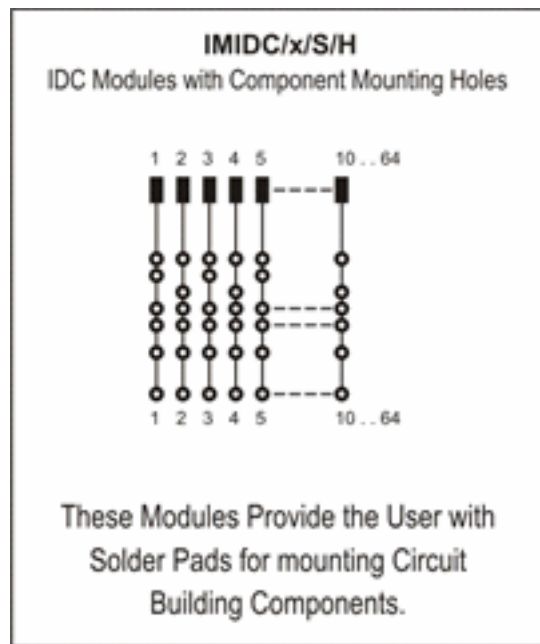
ACCESSORIES

IMAGES	CAT. NO.	DESCRIPTION	STD. PACK
	CA501-1M	Din 32 Rail unslotted 1 meter	50
	CA501-1M-S	Din 32 Rail slotted 1 meter	50
	CA501-2M	Din 32 Rail unslotted 2 meter	50
	CA501-2M-S	Din 32 Rail slotted 2 meter	50
	CA601-1M	Din 15 Rail slotted 1 meter	50
	CA701-1M	Din 35 Rail unslotted 1 meter	50
	CA701-2M	Din 35 Rail unslotted 2 meter	50
	CA701-2M-S	Din 35 Rail slotted 2 meter	50
	CA701-1M-S	Din 35 Rail slotted 1 meter	50
	CA701-15-1M	Din 35 Rail 15 deep unslotted 1 meter	50
	CA701-15-1M-S	Din 35 Rail 15 deep slotted 1 meter	50
	CA701-15-2M	Din 35 Rail 15 deep unslotted 2 meter	50
	CA701-15-2M-S	Din 35 Rail 15 deep slotted 2 meter	50
	CA509/K2	Marking Tag Blank suitable for CDL4U / CDL4U(I,S) / CTL2.5U / CTL2.5UH / CTL2.5UL / CTL2.5U(L,S) / CTL2.5U(L,S)D2 / CGMT4 / CSFL4U / CSFL4U(L) / CMT4 / CMB4 / ASF4 / ASF4(L) / CTS2.5	100
	SCS0.5/3	Electricians Screwdriver for slotted screws	10

ORDERING INFORMATION

CAT. NO.	DESCRIPTION	NO. OF CHN.	DIM. DET.	STD. PACK
IMIDC/10/H/L	10 Pin IDC Module with Component Mounting Hole and Long Latch IDC Connector Rail Mount	4	79 X 88 X 74	1
IMIDC/14/H/L	14 Pin IDC Module with Component Mounting Hole and Long Latch IDC Connector Rail Mount	8	148 X 88 X 74	1
IMIDC/16/H/L	16 Pin IDC Module with Component Mounting Hole and Long Latch IDC Connector Rail Mount	16	289 X 88 X 74	1
IMIDC/20/H/L	20 Pin IDC Module with Component Mounting Hole and Long Latch IDC Connector Rail Mount	1	31 X 88 X 74	5
IMIDC/26/H/L	26 Pin IDC Module with Component Mounting Hole and Long Latch IDC Connector Rail Mount	2	55 X 88 X 74	1
IMIDC/34/H/L	34 Pin IDC Module with Component Mounting Hole and Long Latch IDC Connector Rail Mount	4	100 X 88 X 74	1
IMIDC/40/H/L	40 Pin IDC Module with Component Mounting Hole and Long Latch IDC Connector Rail Mount	8	193 X 88 X 74	1
IMIDC/50/H/L	50 Pin IDC Module with Component Mounting Hole and Long Latch IDC Connector Rail Mount	16	377 X 88 X 74	1
IMIDC/60/H/L	60 Pin IDC Module with Component Mounting Hole and Long Latch IDC Connector Rail Mount	1	31 X 88 X 74	5
IMIDC/64/H/L	64 Pin IDC Module with Component Mounting Hole and Long Latch IDC Connector Rail Mount	2	55 X 88 X 74	1

CIRCUIT DIAGRAM



NOTES

* PANEL mounting modules are available on request. Please use the suffix -P with the above cat. no. for ordering.
** Standard IDC Modules available with Long Latch IDC Connectors, Short Latch IDC Connectors available on request.
*** Module Lengths mentioned are for RAIL Mounting option only. The lengths may vary for Panel Mounting.
**** Cable and Female IDC connector available on request.

IMIDC/xx/L1/L



IDC/FRC Module with LED Indication.

- Housed in V0 fire retardant grade PVC mounting track.
- Ease of connection with the use of standard screw connection PCB Terminal Blocks or Screwless Terminal Blocks
- Maximum current rating of 2 A per pin.
- Available with all standard pin configurations from 10 to 64.
- Available with LED indication.
- Possibility of mounting circuit components between the pins of IDC connectors.
- Mounting options available: DIN Rail mounting & Panel mounting.

GENERAL SPECIFICATION

Ambient Operating Temperature	-20 to 50 °C
Housing Colour	Green
Housing Material	PVC / V0 Grade
Mounting Possibility	DIN32 / DIN35 / DIN35-15 / PANEL

CONNECTION SPECIFICATIONS

Type of Connection	Screw Connection
Min. Wire Size	0.5 mm ²
Max. Wire Size	2.5 mm ²
Min. Wire Size(AWG)	30 AWG
Max. Wire Size(AWG)	14 AWG
Wire Stripping Length	8.3 mm
Torque	0.5 Nm
Torque	4.5 lb-in

IDC / FRC CONNECTOR SPECIFICATIONS

Housing Material	PBT, glass reinforced
Contact Material	Brass
Rated Current / Pin	2 A
Contact Resistance	30m ohms maximum
Insulation Resistance	3000M ohms minimum
Dielectric Withstanding Voltage	500VAC for 1 minute

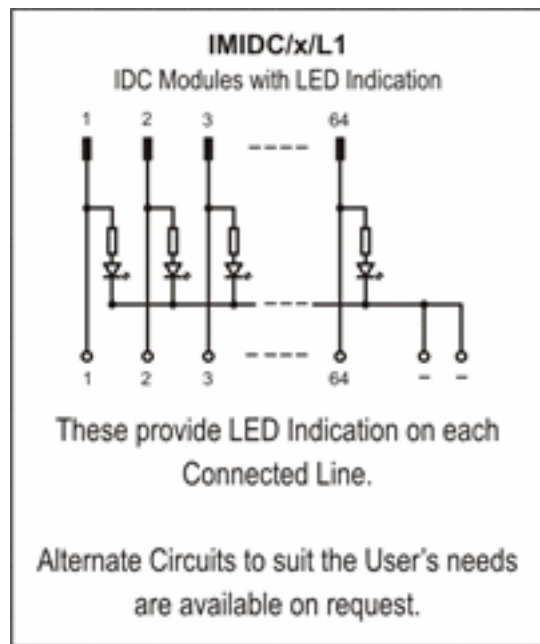
IDC / FRC Connector Approvals



ACCESSORIES

IMAGES	CAT. NO.	DESCRIPTION	STD. PACK
	CA501-1M	Din 32 Rail unslotted 1 meter	50
	CA501-1M-S	Din 32 Rail slotted 1 meter	50
	CA501-2M	Din 32 Rail unslotted 2 meter	50
	CA501-2M-S	Din 32 Rail slotted 2 meter	50
	CA701-1M	Din 35 Rail unslotted 1 meter	50
	CA701-2M	Din 35 Rail unslotted 2 meter	50
	CA701-2M-S	Din 35 Rail slotted 2 meter	50
	CA701-1M-S	Din 35 Rail slotted 1 meter	50
	CA701-15-1M	Din 35 Rail 15 deep unslotted 1 meter	50
	CA701-15-1M-S	Din 35 Rail 15 deep slotted 1 meter	50
	CA701-15-2M	Din 35 Rail 15 deep unslotted 2 meter	50
	CA701-15-2M-S	Din 35 Rail 15 deep slotted 2 meter	50
	CA509/K2	Marking Tag Blank suitable for CDL4U / CDL4U(I,S) / CTL2.5U / CTL2.5UH / CTL2.5U(L,S) / CTL2.5U(L,S)D2 / CGMT4 / CSFL4U / CSFL4U(L) / CMT4 / CMB4 / ASF4 / ASF4(L) / CTS2.5()	100
	SCS0.5/3	Electricians Screwdriver for slotted screws	10

CIRCUIT DIAGRAM



ORDERING INFORMATION

CAT. NO.	DESCRIPTION	NO. OF CHN.	DIM. DET.	STD. PACK
IMIDC/10/L1/L	10 Pin IDC Module with LED Indication and Long Latch IDC Connector Rail Mount	8	193 X 88 X 74	1
IMIDC/14/L1/L	14 Pin IDC Module with LED Indication and Long Latch IDC Connector Rail Mount	16	377 X 88 X 74	1
IMIDC/16/L1/L	16 Pin IDC Module with LED Indication and Long Latch IDC Connector Rail Mount	1	31 X 88 X 74	5
IMIDC/20/L1/L	20 Pin IDC Module with LED Indication and Long Latch IDC Connector Rail Mount	2	55 X 88 X 74	1
IMIDC/26/L1/L	26 Pin IDC Module with LED Indication and Long Latch IDC Connector Rail Mount	4	100 X 88 X 74	1
IMIDC/34/L1/L	34 Pin IDC Module with LED Indication and Long Latch IDC Connector Rail Mount	8	193 X 88 X 74	1
IMIDC/40/L1/L	40 Pin IDC Module with LED Indication and Long Latch IDC Connector Rail Mount	16	377 X 88 X 74	1
IMIDC/50/L1/L	50 Pin IDC Module with LED Indication and Long Latch IDC Connector Rail Mount	1	40 X 88 X 74	1
IMIDC/60/L1/L	60 Pin IDC Module with LED Indication and Long Latch IDC Connector Rail Mount	2	71 X 88 X 74	1
IMIDC/64/L1/L	64 Pin IDC Module with LED Indication and Long Latch IDC Connector Rail Mount	4	137 X 88 X 74	1

NOTES

- * PANEL mounting modules are available on request. Please use the suffix -P with the above cat. no. for ordering.
- ** Standard IDC Modules available with Long Latch IDC Connectors, Short Latch IDC Connectors available on request.
- *** Module Lengths mentioned are for RAIL Mounting option only. The lengths may vary for Panel Mounting.
- **** Cable and Female IDC connector available on request.

IMDSUBM/xx/L1



DSUB Module with LED Indication

- Housed in V0 fire retardant grade PVC mounting track.
- Ease of connection with the use of standard screw connection PCB Terminal Blocks or Screwless Terminal Blocks
- Maximum current rating of 3 A per pin.
- Available with all standard pin configurations from 9 to 50.
- Available with LED indication.
- Possibility of mounting circuit components between the pins of DSUB connectors.
- Mounting options available: DIN Rail mounting & Panel mounting.

GENERAL SPECIFICATION

Ambient Operating Temperature	-20 to 50 °C
Housing Colour	Green
Housing Material	PVC / V0 Grade
Mounting Possibility	DIN32 / DIN35 / DIN35-15 / PANEL
Signal on Indication	3mm Red LED

CONNECTION SPECIFICATIONS

Type of Connection	Screw Connection
Min. Wire Size	0.5 mm ²
Max. Wire Size	2.5 mm ²
Min. Wire Size(AWG)	30 AWG
Max. Wire Size(AWG)	14 AWG
Wire Stripping Length	8.3 mm
Torque	0.5 Nm
Torque	4.5 lb-in

DSUB CONNECTOR SPECIFICATIONS

Contact Material	Brass
Contact Resistance	15 m ohms maximum at 500 VDC
Dielectric Withstanding Voltage	1000VAC for one Minute
Housing Material (Insulator)	PBT, Rated UL94V-0
Housing Material (Shell)	Steel
Rated Current / Pin	3 A
Rivet / Board Lock Material	Copper Alloy

ORDERING INFORMATION

CAT. NO.	DESCRIPTION	NO. OF CHN.	DIM. DET.	STD. PACK
IMDSUBM/9/L1	9 Pin Male DSUB Module with LED Indication Rail Mount	1	43 X 88 X 65	9
IMDSUBM/15/L1	15 Pin Male DSUB Module with LED Indication Rail Mount	1	55 X 88 X 65	15
IMDSUBM/25/L1	25 Pin Male DSUB Module with LED Indication Rail Mount	1	81 X 88 X 65	25
IMDSUBM/37/L1	37 Pin Male DSUB Module with LED Indication Rail Mount	1	112 X 88 X 65	37
IMDSUBM/50/L1	50 Pin Male DSUB Module with LED Indication Rail Mount	1	148 X 88 X 65	50

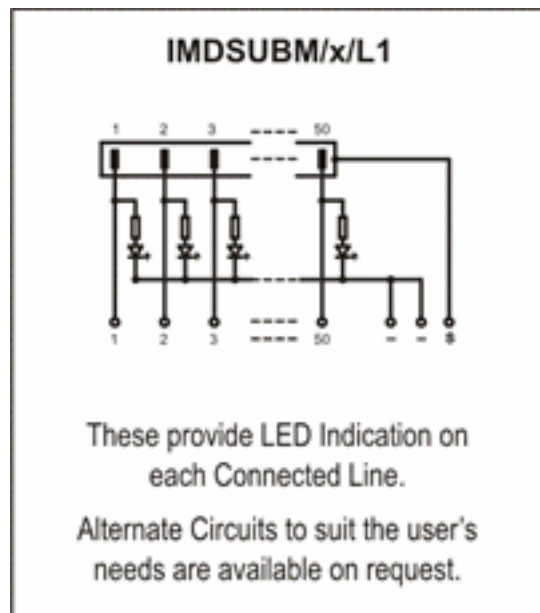
ACCESSORIES

IMAGES	CAT. NO.	DESCRIPTION	STD. PACK
	CA501-1M	Din 32 Rail unslotted 1 meter	50
	CA501-1M-S	Din 32 Rail slotted 1 meter	50
	CA501-2M	Din 32 Rail unslotted 2 meter	50
	CA501-2M-S	Din 32 Rail slotted 2 meter	50
	CA701-1M	Din 35 Rail unslotted 1 meter	50
	CA701-2M	Din 35 Rail unslotted 2 meter	50
	CA701-2M-S	Din 35 Rail slotted 2 meter	50
	CA701-1M-S	Din 35 Rail slotted 1 meter	50
	CA701-15-1M	Din 35 Rail 15 deep unslotted 1 meter	50
	CA701-15-1M-S	Din 35 Rail 15 deep slotted 1 meter	50
	CA701-15-2M	Din 35 Rail 15 deep unslotted 2 meter	50
	CA701-15-2M-S	Din 35 Rail 15 deep slotted 2 meter	50

ACCESSORIES....

IMAGES	CAT. NO.	DESCRIPTION	STD. PACK
	CA509/K2	Marking Tag Blank suitable for CDL4U / CDL4U(I,S) / CTL2.5U / CTL2.5UH / CTL2.5UL / CTL2.5HUL / CTL2.5U(I,S) / CTL2.5U(I,S)D2 / CGMT4 / CSFL4U / CSFL4U(L) / CMT4 / CMB4 / ASF4 / ASF4(L) / CTS2.5(100
	SCS0.5/3	Electricians Screwdriver for slotted screws	10

CIRCUIT DIAGRAM



NOTES

- * All DSUB Configurations available with Male or Female DSUB Connectors
- ** Module Lengths mentioned are for RAIL Mounting option only. The lengths may vary for PANEL Mounting. Please use the suffix-P with the cat. No. for ordering
- *** Cable and DSUB Connector available on request.

IMDSUBM/xx/S



Standard MALE DSUB Module With 1:1 Screw Connections

- Housed in V0 fire retardant grade PVC mounting track.
- Ease of connection with the use of standard screw connection PCB Terminal Blocks or Screwless Terminal Blocks
- Maximum current rating of 3 A per pin.
- Available with all standard pin configurations from 9 to 50.
- Available with LED indication.
- Possibility of mounting circuit components between the pins of DSUB connectors.
- Mounting options available: DIN Rail mounting & Panel mounting.

GENERAL SPECIFICATION

Ambient Operating Temperature	-20 to 50 °C
Housing Colour	Green
Housing Material	PVC / V0 Grade
Mounting Possibility	DIN32 / DIN35 / DIN35-15 / PANEL

CONNECTION SPECIFICATIONS

Type of Connection	Screw Connection
Min. Wire Size	0.5 mm ²
Max. Wire Size	2.5 mm ²
Min. Wire Size(AWG)	30 AWG
Max. Wire Size(AWG)	14 AWG
Wire Stripping Length	8.3 mm
Torque	0.5 Nm
Torque	4.5 lb-in

DSUB CONNECTOR SPECIFICATIONS

Contact Material	Brass
Contact Resistance	15 m ohms maximum at 500 VDC
Dielectric Withstanding Voltage	1000VAC for one Minute
Housing Material (Insulator)	PBT, Rated UL94V-0
Housing Material (Shell)	Steel
Rated Current / Pin	3 A
Rivet / Board Lock Material	Copper Alloy

ORDERING INFORMATION

CAT. NO.	DESCRIPTION	NO. OF CHN.	DIM. DET.	STD. PACK
IMDSUBM/9/S	9 Pin Standard Male DSUB Module with Rail Mount	1	43 X 88 X 65	9
IMDSUBM/15/S	15 Pin Standard Male DSUB Module with Rail Mount	1	55 X 88 X 65	15
IMDSUBM/25/S	25 Pin Standard Male DSUB Module with Rail Mount	1	81 X 88 X 65	25
IMDSUBM/37/S	37 Pin Standard Male DSUB Module with Rail Mount	1	112 X 88 X 65	37
IMDSUBM/50/S	50 Pin Standard Male DSUB Module with Rail Mount	1	148 X 88 X 65	50

ACCESSORIES

IMAGES	CAT. NO.	DESCRIPTION	STD. PACK
	CA501-1M	Din 32 Rail unslotted 1 meter	50
	CA501-1M-S	Din 32 Rail slotted 1 meter	50
	CA501-2M	Din 32 Rail unslotted 2 meter	50
	CA501-2M-S	Din 32 Rail slotted 2 meter	50
	CA701-1M	Din 35 Rail unslotted 1 meter	50
	CA701-2M	Din 35 Rail unslotted 2 meter	50
	CA701-2M-S	Din 35 Rail slotted 2 meter	50
	CA701-1M-S	Din 35 Rail slotted 1 meter	50
	CA701-15-1M	Din 35 Rail 15 deep unslotted 1 meter	50
	CA701-15-1M-S	Din 35 Rail 15 deep slotted 1 meter	50
	CA701-15-2M	Din 35 Rail 15 deep unslotted 2 meter	50
	CA701-15-2M-S	Din 35 Rail 15 deep slotted 2 meter	50

ACCESSORIES....

IMAGES	CAT. NO.	DESCRIPTION	STD. PACK
	CA509/K2	Marking Tag Blank suitable for CDL4U / CDL4U(I,S) / CTL2.5U / CTL2.5UH / CTL2.5UL / CTL2.5HUL / CTL2.5U(I,S) / CTL2.5U(I,S)D2 / CGMT4 / CSFL4U / CSFL4U(L) / CMT4 / CMB4 / ASF4 / ASF4(L) / CTS2.5()	100
	SCS0.5/3	Electricians Screwdriver for slotted screws	10

NOTES

- * All DSUB Configurations available with Male or Female DSUB Connectors
- ** Module Lengths mentioned are for RAIL Mounting option only. The lengths may vary for PANEL Mounting, please use the suffix-P with the cat. no. for ordering.
- *** Cable and DSUB Connector available on request.

IMDSUBF/xx/SC



FEMALE DSUB Module with 1:1 Spring Connections

- Housed in V0 fire retardant grade PVC mounting track.
- Ease of connection with the use of standard screw connection PCB Terminal Blocks or Screwless Terminal Blocks
- Maximum current rating of 3 A per pin.
- Available with all standard pin configurations from 9 to 50.
- Available with LED indication.
- Possibility of mounting circuit components between the pins of DSUB connectors.
- Mounting options available: DIN Rail mounting & Panel mounting.

GENERAL SPECIFICATION

Ambient Operating Temperature	-20 to 50 °C
Housing Colour	Green
Housing Material	PVC / V0 Grade
Mounting Possibility	DIN32 / DIN35 / DIN35-15 / PANEL

CONNECTION SPECIFICATIONS

Type of Connection	Spring Connection
Min. Wire Size	0.5 mm ²
Max. Wire Size	2.5 mm ²
Min. Wire Size(AWG)	28 AWG
Max. Wire Size(AWG)	12 AWG
Wire Stripping Length	8 mm
Torque	0.5 Nm
Torque	4.5 lb-in

DSUB CONNECTOR SPECIFICATIONS

Contact Material	Brass
Contact Resistance	15 m ohms maximum at 500 VDC
Dielectric Withstanding Voltage	1000VAC for one Minute
Housing Material (Insulator)	PBT, Rated UL94V-0
Housing Material (Shell)	Steel
Rated Current / Pin	3 A
Rivet / Board Lock Material	Copper Alloy

ORDERING INFORMATION

CAT. NO.	DESCRIPTION	NO. OF CHN.	DIM. DET.	STD. PACK
IMDSUBF/9/SC	9 Pin spring Cage Terminal Female DSUB Module with Rail Mount	1	43 X 88 X 65	9
IMDSUBF/15/SC	15 Pin spring Cage Terminal Female DSUB Module with Rail Mount	1	55 X 88 X 65	15
IMDSUBF/25/SC	25 Pin spring Cage Terminal Female DSUB Module with Rail Mount	1	81 X 88 X 65	25
IMDSUBF/37/SC	37 Pin spring Cage Terminal Female DSUB Module with Rail Mount	1	112 X 88 X 65	37
IMDSUBF/50/SC	50 Pin spring Cage Terminal Female DSUB Module with Rail Mount	1	148 X 88 X 65	50

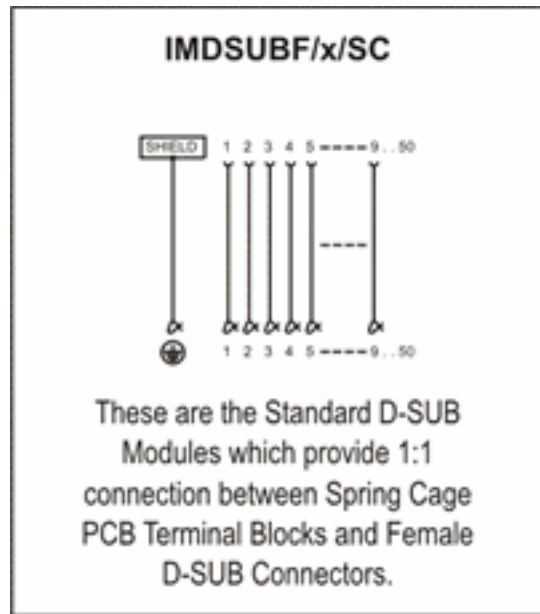
ACCESSORIES

IMAGES	CAT. NO.	DESCRIPTION	STD. PACK
	CA501-1M	Din 32 Rail unslotted 1 meter	50
	CA501-1M-S	Din 32 Rail slotted 1 meter	50
	CA501-2M	Din 32 Rail unslotted 2 meter	50
	CA501-2M-S	Din 32 Rail slotted 2 meter	50
	CA701-1M	Din 35 Rail unslotted 1 meter	50
	CA701-2M	Din 35 Rail unslotted 2 meter	50
	CA701-2M-S	Din 35 Rail slotted 2 meter	50
	CA701-1M-S	Din 35 Rail slotted 1 meter	50
	CA701-15-1M	Din 35 Rail 15 deep unslotted 1 meter	50
	CA701-15-1M-S	Din 35 Rail 15 deep slotted 1 meter	50
	CA701-15-2M	Din 35 Rail 15 deep unslotted 2 meter	50
	CA701-15-2M-S	Din 35 Rail 15 deep slotted 2 meter	50

ACCESSORIES....

IMAGES	CAT. NO.	DESCRIPTION	STD. PACK
	CA509/K2	Marking Tag Blank suitable for CDL4U / CDL4U(I,S) / CTL2.5U / CTL2.5UH / CTL2.5UL / CTL2.5HUL / CTL2.5U(I,S) / CTL2.5U(I,S)D2 / CGMT4 / CSFL4U / CSFL4U(L) / CMT4 / CMB4 / ASF4 / ASF4(L) / CTS2.5	100
	SCS0.5/3	Electricians Screwdriver for slotted screws	10

CIRCUIT DIAGRAM



NOTES

- * All DSUB Configurations available with Male or Female DSUB Connectors
- ** Module Lengths mentioned are for RAIL Mounting option only. The lengths may vary for PANEL Mounting, please use the suffix-P with the cat. no. for ordering.
- *** Cable and DSUB Connector available on request.

IMDSUBM/xx/H



MALE DSUB Module with Component Mounting Hole

- Housed in V0 fire retardant grade PVC mounting track.
- Ease of connection with the use of standard screw connection PCB Terminal Blocks or Screwless Terminal Blocks
- Maximum current rating of 3 A per pin. -Available with all standard pin configurations from 9 to 50.
- Available with LED indication.
- Possibility of mounting circuit components between the pins of DSUB connectors.
- Mounting options available: DIN Rail mounting & Panel mounting.

GENERAL SPECIFICATION

Ambient Operating Temperature	-20 to 50 °C
Component Mounting Hole Diameter	1 mm
Housing Colour	Green
Housing Material	PVC / V0 Grade
Mounting Possibility	DIN32 / DIN35 / DIN35-15 / PANEL

CONNECTION SPECIFICATIONS

Type of Connection	Screw Connection
Min. Wire Size	0.5 mm ²
Max. Wire Size	2.5 mm ²
Min. Wire Size(AWG)	30 AWG
Max. Wire Size(AWG)	14 AWG
Wire Stripping Length	8.3 mm
Torque	0.5 Nm
Torque	4.5 lb-in

DSUB CONNECTOR SPECIFICATIONS

Contact Material	Brass
Contact Resistance	15 m ohms maximum at 500 VDC
Dielectric Withstanding Voltage	1000VAC for one Minute
Housing Material (Insulator)	PBT, Rated UL94V-0
Housing Material (Shell)	Steel
Rated Current / Pin	3 A
Rivet / Board Lock Material	Copper Alloy

ORDERING INFORMATION

CAT. NO.	DESCRIPTION	NO. OF CHN.	DIM. DET.	STD. PACK
IMDSUBM/9/H	9 Pin Male DSUB Module with Component mounting Hole Rail Mount	1	43 X 88 X 65	9
IMDSUBM/15/H	15 Pin Male DSUB Module with Component mounting Hole Rail Mount	1	55 X 88 X 65	15
IMDSUBM/25/H	25 Pin Male DSUB Module with Component mounting Hole Rail Mount	1	81 X 88 X 65	25
IMDSUBM/37/H	37 Pin Male DSUB Module with Component mounting Hole Rail Mount	1	112 X 88 X 65	37
IMDSUBM/50/H	50 Pin Male DSUB Module with Component mounting Hole Rail Mount	1	148 X 88 X 65	50

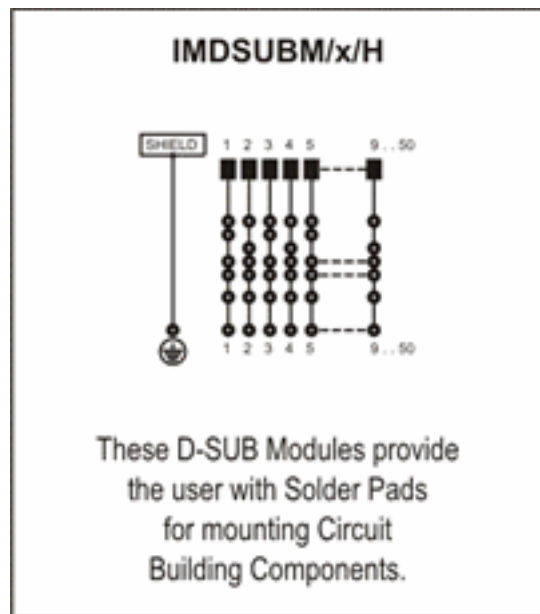
ACCESSORIES

IMAGES	CAT. NO.	DESCRIPTION	STD. PACK
	CA501-1M	Din 32 Rail unslotted 1 meter	50
	CA501-1M-S	Din 32 Rail slotted 1 meter	50
	CA501-2M	Din 32 Rail unslotted 2 meter	50
	CA501-2M-S	Din 32 Rail slotted 2 meter	50
	CA701-1M	Din 35 Rail unslotted 1 meter	50
	CA701-2M	Din 35 Rail unslotted 2 meter	50
	CA701-2M-S	Din 35 Rail slotted 2 meter	50
	CA701-1M-S	Din 35 Rail slotted 1 meter	50
	CA701-15-1M	Din 35 Rail 15 deep unslotted 1 meter	50
	CA701-15-1M-S	Din 35 Rail 15 deep slotted 1 meter	50
	CA701-15-2M	Din 35 Rail 15 deep unslotted 2 meter	50
	CA701-15-2M-S	Din 35 Rail 15 deep slotted 2 meter	50

ACCESSORIES....

IMAGES	CAT. NO.	DESCRIPTION	STD. PACK
	CA509/K2	Marking Tag Blank suitable for CDL4U / CDL4U(I,S) / CTL2.5U / CTL2.5UH / CTL2.5UL / CTL2.5HUL / CTL2.5U(I,S) / CTL2.5U(I,S)D2 / CGMT4 / CSFL4U / CSFL4U(L) / CMT4 / CMB4 / ASF4 / ASF4(L) / CTS2.5(100
	SCS0.5/3	Electricians Screwdriver for slotted screws	10

CIRCUIT DIAGRAM



NOTES

- * All DSUB Configurations available with Male or Female DSUB Connectors
- ** Module Lengths mentioned are for RAIL Mounting option only. The lengths may vary for PANEL Mounting. Please use suffix-P with the cat. no. for ordering.
- *** Cable and DSUB Connector available on request.

IMDSUBM/xx/SC



MALE DSUB Module with 1:1 Spring Connections

- Housed in V0 fire retardant grade PVC mounting track.
- Ease of connection with the use of standard screw connection PCB Terminal Blocks or Screwless Terminal Blocks
- Maximum current rating of 3 A per pin.
- Available with all standard pin configurations from 9 to 50.
- Available with LED indication.
- Possibility of mounting circuit components between the pins of DSUB connectors.
- Mounting options available: DIN Rail mounting & Panel mounting.

GENERAL SPECIFICATION

Ambient Operating Temperature	-20 to 50 °C
Housing Colour	Green
Housing Material	PVC / V0 Grade
Mounting Possibility	DIN32 / DIN35 / DIN35-15 / PANEL

CONNECTION SPECIFICATIONS

Type of Connection	Spring Connection
Min. Wire Size	0.5 mm ²
Max. Wire Size	2.5 mm ²
Min. Wire Size(AWG)	28 AWG
Max. Wire Size(AWG)	12 AWG
Wire Stripping Length	8 mm
Torque	0.5 Nm
Torque	4.5 lb-in

DSUB CONNECTOR SPECIFICATIONS

Contact Material	Brass
Contact Resistance	15 m ohms maximum at 500 VDC
Dielectric Withstanding Voltage	1000VAC for one Minute
Housing Material (Insulator)	PBT, Rated UL94V-0
Housing Material (Shell)	Steel
Rated Current / Pin	3 A
Rivet / Board Lock Material	Copper Alloy

ORDERING INFORMATION

CAT. NO.	DESCRIPTION	NO. OF CHN.	DIM. DET.	STD. PACK
IMDSUBM/9/S C	9 Pin spring Cage Terminal Male DSUB Module with Rail Mount	1	43 X 88 X 65	9
IMDSUBM/15/S C	15 Pin spring Cage Terminal Male DSUB Module with Rail Mount	1	55 X 88 X 65	15
IMDSUBM/25/S C	25 Pin spring Cage Terminal Male DSUB Module with Rail Mount	1	81 X 88 X 65	25
IMDSUBM/37/S C	37 Pin spring Cage Terminal Male DSUB Module with Rail Mount	1	112 X 88 X 65	37
IMDSUBM/50/S C	50 Pin spring Cage Terminal Male DSUB Module with Rail Mount	1	148 X 88 X 65	50

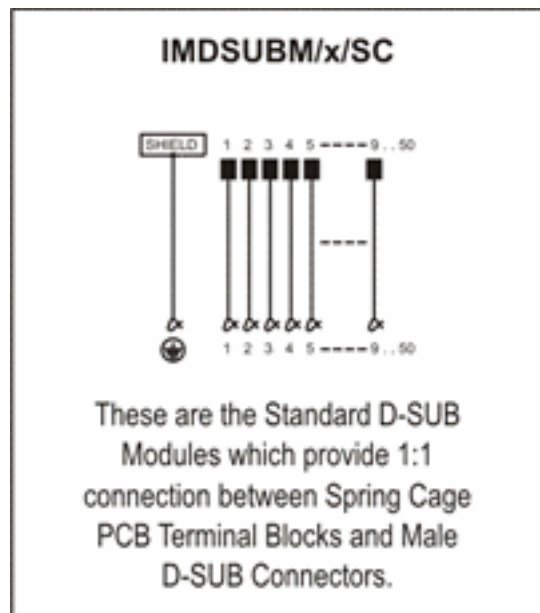
ACCESSORIES

IMAGES	CAT. NO.	DESCRIPTION	STD. PACK
	CA501-1M	Din 32 Rail unslotted 1 meter	50
	CA501-1M-S	Din 32 Rail slotted 1 meter	50
	CA501-2M	Din 32 Rail unslotted 2 meter	50
	CA501-2M-S	Din 32 Rail slotted 2 meter	50
	CA701-1M	Din 35 Rail unslotted 1 meter	50
	CA701-2M	Din 35 Rail unslotted 2 meter	50
	CA701-2M-S	Din 35 Rail slotted 2 meter	50
	CA701-1M-S	Din 35 Rail slotted 1 meter	50
	CA701-15-1M	Din 35 Rail 15 deep unslotted 1 meter	50
	CA701-15-1M-S	Din 35 Rail 15 deep slotted 1 meter	50
	CA701-15-2M	Din 35 Rail 15 deep unslotted 2 meter	50
	CA701-15-2M-S	Din 35 Rail 15 deep slotted 2 meter	50

ACCESSORIES....

IMAGES	CAT. NO.	DESCRIPTION	STD. PACK
	CA509/K2	Marking Tag Blank suitable for CDL4U / CDL4U(I,S) / CTL2.5U / CTL2.5UH / CTL2.5UL / CTL2.5HUL / CTL2.5U(I,S) / CTL2.5U(I,S)D2 / CGMT4 / CSFL4U / CSFL4U(L) / CMT4 / CMB4 / ASF4 / ASF4(L) / CTS2.5()	100
	SCS0.5/3	Electricians Screwdriver for slotted screws	10

CIRCUIT DIAGRAM



NOTES

- * All DSUB Configurations available with Male or Female DSUB Connectors
- ** Module Lengths mentioned are for RAIL Mounting option only. The lengths may vary for PANEL Mounting, please use the suffix-P with the cat. no. for ordering.
- *** Cable and DSUB Connector available on request.

IMDSUBF/xx/S



Standard FEMALE DSUB Module With 1:1 Screw Connections

- Housed in V0 fire retardant grade PVC mounting track.
- Ease of connection with the use of standard screw connection PCB Terminal Blocks or Screwless Terminal Blocks
- Maximum current rating of 3 A per pin.
- Available with all standard pin configurations from 9 to 50.
- Available with LED indication.
- Possibility of mounting circuit components between the pins of DSUB connectors.
- Mounting options available: DIN Rail mounting & Panel mounting.

GENERAL SPECIFICATION

Ambient Operating Temperature	-20 to 50 °C
Housing Colour	Green
Housing Material	PVC / V0 Grade
Mounting Possibility	DIN32 / DIN35 / DIN35-15 / PANEL

CONNECTION SPECIFICATIONS

Type of Connection	Screw Connection
Min. Wire Size	0.5 mm ²
Max. Wire Size	2.5 mm ²
Min. Wire Size(AWG)	30 AWG
Max. Wire Size(AWG)	14 AWG
Wire Stripping Length	8.3 mm
Torque	0.5 Nm
Torque	4.5 lb-in

DSUB CONNECTOR SPECIFICATIONS

Contact Material	Brass
Contact Resistance	15 m ohms maximum at 500 VDC
Dielectric Withstanding Voltage	1000VAC for one Minute
Housing Material (Insulator)	PBT, Rated UL94V-0
Housing Material (Shell)	Steel
Rated Current / Pin	3 A
Rivet / Board Lock Material	Copper Alloy

ORDERING INFORMATION

CAT. NO.	DESCRIPTION	NO. OF CHN.	DIM. DET.	STD. PACK
IMDSUBF/9/S	9 Pin Standard Female DSUB Module with Rail Mount	1	43 X 88 X 65	9
IMDSUBF/15/S	15 Pin Standard Female DSUB Module with Rail Mount	1	55 X 88 X 65	15
IMDSUBF/25/S	25 Pin Standard Female DSUB Module with Rail Mount	1	81 X 88 X 65	25
IMDSUBF/37/S	37 Pin Standard Female DSUB Module with Rail Mount	1	112 X 88 X 65	37
IMDSUBF/50/S	50 Pin Standard Female DSUB Module with Rail Mount	1	148 X 88 X 65	50

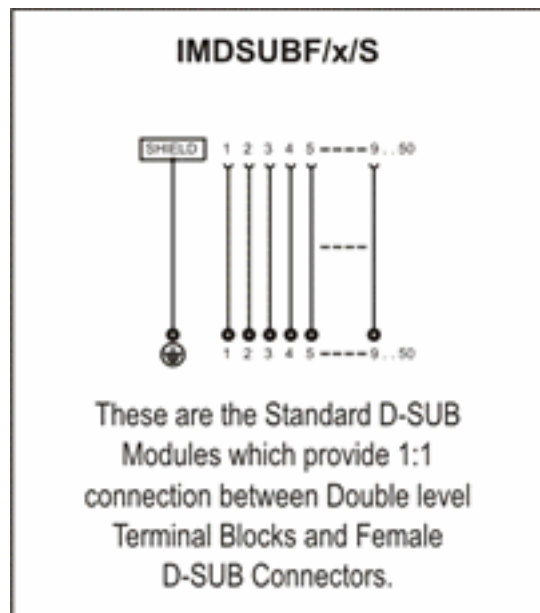
ACCESSORIES

IMAGES	CAT. NO.	DESCRIPTION	STD. PACK
	CA501-1M	Din 32 Rail unslotted 1 meter	50
	CA501-1M-S	Din 32 Rail slotted 1 meter	50
	CA501-2M	Din 32 Rail unslotted 2 meter	50
	CA501-2M-S	Din 32 Rail slotted 2 meter	50
	CA701-1M	Din 35 Rail unslotted 1 meter	50
	CA701-2M	Din 35 Rail unslotted 2 meter	50
	CA701-2M-S	Din 35 Rail slotted 2 meter	50
	CA701-1M-S	Din 35 Rail slotted 1 meter	50
	CA701-15-1M	Din 35 Rail 15 deep unslotted 1 meter	50
	CA701-15-1M-S	Din 35 Rail 15 deep slotted 1 meter	50
	CA701-15-2M	Din 35 Rail 15 deep unslotted 2 meter	50
	CA701-15-2M-S	Din 35 Rail 15 deep slotted 2 meter	50

ACCESSORIES....

IMAGES	CAT. NO.	DESCRIPTION	STD. PACK
	CA509/K2	Marking Tag Blank suitable for CDL4U / CDL4U(I,S) / CTL2.5U / CTL2.5UH / CTL2.5U(I,S) / CTL2.5U(I,S)D2 / CGMT4 / CSFL4U / CSFL4U(L) / CMT4 / CMB4 / ASF4 / ASF4(L) / CTS2.5()	100
	SCS0.5/3	Electricians Screwdriver for slotted screws	10

CIRCUIT DIAGRAM



NOTES

- * All DSUB Configurations available with Male or Female DSUB Connectors
- ** Module Lengths mentioned are for RAIL Mounting option only. The lengths may vary for PANEL Mounting, please use the suffix-P with the cat. no. for ordering.
- *** Cable and DSUB Connector available on request.

IMDSUBF/xx/L1



FEMALE DSUB Module with LED Indication

- Housed in V0 fire retardant grade PVC mounting track.
- Ease of connection with the use of standard screw connection PCB Terminal Blocks or Screwless Terminal Blocks
- Maximum current rating of 3 A per pin.
- Available with all standard pin configurations from 9 to 50.
- Available with LED indication.
- Possibility of mounting circuit components between the pins of DSUB connectors.
- Mounting options available: DIN Rail mounting & Panel mounting.

GENERAL SPECIFICATION

Ambient Operating Temperature	-20 to 50 °C
Housing Colour	Green
Housing Material	PVC / V0 Grade
Mounting Possibility	DIN32 / DIN35 / DIN35-15 / PANEL
Signal on Indication	3mm Red LED

CONNECTION SPECIFICATIONS

Type of Connection	Screw Connection
Min. Wire Size	0.5 mm ²
Max. Wire Size	2.5 mm ²
Min. Wire Size(AWG)	30 AWG
Max. Wire Size(AWG)	14 AWG
Wire Stripping Length	8.3 mm
Torque	0.5 Nm
Torque	4.5 lb-in

DSUB CONNECTOR SPECIFICATIONS

Contact Material	Brass
Contact Resistance	15 m ohms maximum at 500 VDC
Dielectric Withstanding Voltage	1000VAC for one Minute
Housing Material (Insulator)	PBT, Rated UL94V-0
Housing Material (Shell)	Steel
Rated Current / Pin	3 A
Rivet / Board Lock Material	Copper Alloy

ORDERING INFORMATION

CAT. NO.	DESCRIPTION	NO. OF CHN.	DIM. DET.	STD. PACK
IMDSUBF/9/L1	9 Pin Female DSUB Module with LED Indication Rail Mount	1	43 X 88 X 65	9
IMDSUBF/15/L1	15 Pin Female DSUB Module with LED Indication Rail Mount	1	55 X 88 X 65	15
IMDSUBF/25/L1	25 Pin Female DSUB Module with LED Indication Rail Mount	1	81 X 88 X 65	25
IMDSUBF/37/L1	37 Pin Female DSUB Module with LED Indication Rail Mount	1	112 X 88 X 65	37
IMDSUBF/50/L1	50 Pin Female DSUB Module with LED Indication Rail Mount	1	148 X 88 X 65	50

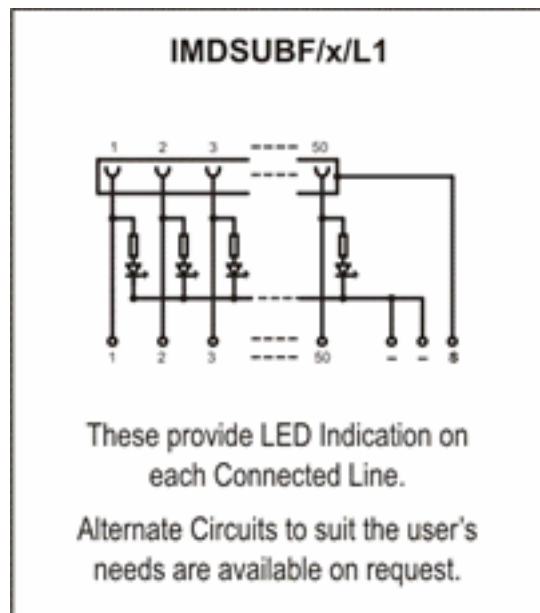
ACCESSORIES

IMAGES	CAT. NO.	DESCRIPTION	STD. PACK
	CA501-1M	Din 32 Rail unslotted 1 meter	50
	CA501-1M-S	Din 32 Rail slotted 1 meter	50
	CA501-2M	Din 32 Rail unslotted 2 meter	50
	CA501-2M-S	Din 32 Rail slotted 2 meter	50
	CA701-1M	Din 35 Rail unslotted 1 meter	50
	CA701-2M	Din 35 Rail unslotted 2 meter	50
	CA701-2M-S	Din 35 Rail slotted 2 meter	50
	CA701-1M-S	Din 35 Rail slotted 1 meter	50
	CA701-15-1M	Din 35 Rail 15 deep unslotted 1 meter	50
	CA701-15-1M-S	Din 35 Rail 15 deep slotted 1 meter	50
	CA701-15-2M	Din 35 Rail 15 deep unslotted 2 meter	50
	CA701-15-2M-S	Din 35 Rail 15 deep slotted 2 meter	50

ACCESSORIES....

IMAGES	CAT. NO.	DESCRIPTION	STD. PACK
	CA509/K2	Marking Tag Blank suitable for CDL4U / CDL4U(I,S) / CTL2.5U / CTL2.5UH / CTL2.5UL / CTL2.5HUL / CTL2.5U(I,S) / CTL2.5U(I,S)D2 / CGMT4 / CSFL4U / CSFL4U(L) / CMT4 / CMB4 / ASF4 / ASF4(L) / CTS2.5()	100
	SCS0.5/3	Electricians Screwdriver for slotted screws	10

CIRCUIT DIAGRAM



NOTES

- * All DSUB Configurations available with Male or Female DSUB Connectors
- ** Module Lengths mentioned are for RAIL Mounting option only. The lengths may vary for PANEL Mounting. Please use the suffix-P with the cat. No. for ordering
- *** Cable and DSUB Connector available on request.

IMDSUBF/xx/H



FEMALE DSUB Module with Component Mounting Hole

- Housed in V0 fire retardant grade PVC mounting track.
- Ease of connection with the use of standard screw connection PCB Terminal Blocks or Screwless Terminal Blocks
- Maximum current rating of 3 A per pin
- Available with all standard pin configurations from 9 to 50.
- Available with LED indication.
- Possibility of mounting circuit components between the pins of DSUB connectors.
- Mounting options available: DIN Rail mounting & Panel mounting.

GENERAL SPECIFICATION

Ambient Operating Temperature	-20 to 50 °C
Component Mounting Hole Diameter	1 mm
Housing Colour	Green
Housing Material	PVC / V0 Grade
Mounting Possibility	DIN32 / DIN35 / DIN35-15 / PANEL

CONNECTION SPECIFICATIONS

Type of Connection	Screw Connection
Min. Wire Size	0.5 mm ²
Max. Wire Size	2.5 mm ²
Min. Wire Size(AWG)	30 AWG
Max. Wire Size(AWG)	14 AWG
Wire Stripping Length	8.5 mm
Torque	0.5 Nm
Torque	4.5 lb-in

DSUB CONNECTOR SPECIFICATIONS

Contact Material	Brass
Contact Resistance	15 m ohms maximum at 500 VDC
Dielectric Withstanding Voltage	1000VAC for one Minute
Housing Material (Insulator)	PBT, Rated UL94V-0
Housing Material (Shell)	Steel
Rated Current / Pin	3 A
Rivet / Board Lock Material	Copper Alloy

ORDERING INFORMATION

CAT. NO.	DESCRIPTION	NO. OF CHN.	DIM. DET.	STD. PACK
IMDSUBF/9/H	9 Pin Female DSUB Module with Component mounting Hole Rail Mount	1	43 X 88 X 65	9
IMDSUBF/15/H	15 Pin Female DSUB Module with Component mounting Hole Rail Mount	1	55 X 88 X 65	15
IMDSUBF/25/H	25 Pin Female DSUB Module with Component mounting Hole Rail Mount	1	81 X 88 X 65	25
IMDSUBF/37/H	37 Pin Female DSUB Module with Component mounting Hole Rail Mount	1	112 X 88 X 65	37
IMDSUBF/50/H	50 Pin Female DSUB Module with Component mounting Hole Rail Mount	1	148 X 88 X 65	50

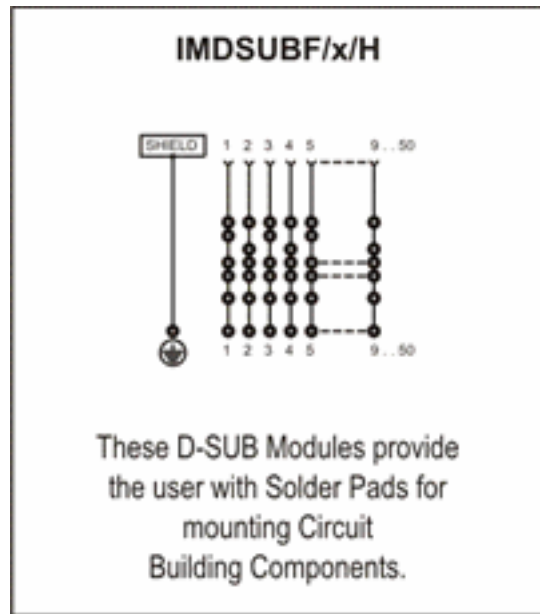
ACCESSORIES

IMAGES	CAT. NO.	DESCRIPTION	STD. PACK
	CA501-1M	Din 32 Rail unslotted 1 meter	50
	CA501-1M-S	Din 32 Rail slotted 1 meter	50
	CA501-2M	Din 32 Rail unslotted 2 meter	50
	CA501-2M-S	Din 32 Rail slotted 2 meter	50
	CA701-1M	Din 35 Rail unslotted 1 meter	50
	CA701-2M	Din 35 Rail unslotted 2 meter	50
	CA701-2M-S	Din 35 Rail slotted 2 meter	50
	CA701-1M-S	Din 35 Rail slotted 1 meter	50
	CA701-15-1M	Din 35 Rail 15 deep unslotted 1 meter	50
	CA701-15-1M-S	Din 35 Rail 15 deep slotted 1 meter	50
	CA701-15-2M	Din 35 Rail 15 deep unslotted 2 meter	50
	CA701-15-2M-S	Din 35 Rail 15 deep slotted 2 meter	50

ACCESSORIES....

IMAGES	CAT. NO.	DESCRIPTION	STD. PACK
	CA509/K2	Marking Tag Blank suitable for CDL4U / CDL4U(I,S) / CTL2.5U / CTL2.5UH / CTL2.5UL / CTL2.5U(I,S) / CTL2.5U(I,S)D2 / CGMT4 / CSFL4U / CSFL4U(L) / CMT4 / CMB4 / ASF4 / ASF4(L) / CTS2.5()	100
	SCS0.5/3	Electricians Screwdriver for slotted screws	10

CIRCUIT DIAGRAM



NOTES

- * All DSUB Configurations available with Male or Female DSUB Connectors
- ** Module Lengths mentioned are for RAIL Mounting option only. The lengths may vary for PANEL Mounting. Please use suffix-P with the cat. no. for ordering.
- *** Cable and DSUB Connector available on request.

IMRJ45/8/V



RJ45 Module with Vertical RJ45 Connector

- Ease of connection with the use of standard screw connection Terminal Blocks.
- Mounting Options available: DIN Rail mounting & Panel mounting.
- Housed in V0 fire retardant grade PVC mounting track.
- Possibility of having standard / cross over connection using the same module.
- Modules are also available with shielded RJ45 connectors.

GENERAL SPECIFICATION

Ambient Operating Temperature	-20 to +50 °C
Housing Colour	Green
Housing Material	PVC / V0 Grade
Mounting Possibility	DIN32 / DIN35 / DIN35-15 / PANEL

CONNECTION SPECIFICATIONS

Type of Connection	Screw Connection
Min. Wire Size	0.5 mm ²
Max. Wire Size	2.5 mm ²
Min. Wire Size(AWG)	30 AWG
Max. Wire Size(AWG)	14 AWG
Wire Stripping Length	8.3 mm
Torque	0.5 Nm
Torque	4.5 lb-in

RJ45 CONNECTOR ORIENTATION

Connector Orientation	vertical
Contact Material	phosphor Bronze (internal Dia. 0.46mm)
Contact Plating	Gold Flash Plating Over Nickel
Housing Colour	Black
Housing Material	Glass Filled Polyester UL94V-0
Rated Current	1.5 A
Rated Voltage	125 VAC
Shield Material	0.23 thickness Brass with Nickel Plating

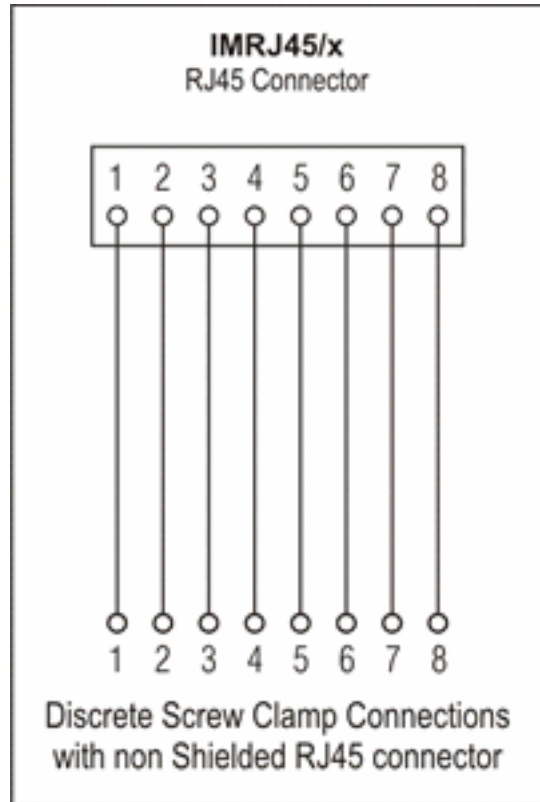
ORDERING INFORMATION

CAT. NO.	DESCRIPTION	NO. OF CHN.	DIM. DET.	STD. PACK
IMRJ45/8/V	RJ45 module with vertical Non-Shielded RJ45 Connector Rail mount	5	30 X 88 X 65	1

ACCESSORIES

IMAGES	CAT. NO.	DESCRIPTION	STD. PACK
	CA501-1M	Din 32 Rail unslotted 1 meter	50
	CA501-1M-S	Din 32 Rail slotted 1 meter	50
	CA501-2M	Din 32 Rail unslotted 2 meter	50
	CA501-2M-S	Din 32 Rail slotted 2 meter	50
	CA701-1M	Din 35 Rail unslotted 1 meter	50
	CA701-2M	Din 35 Rail unslotted 2 meter	50
	CA701-2M-S	Din 35 Rail slotted 2 meter	50
	CA701-1M-S	Din 35 Rail slotted 1 meter	50
	CA701-15-1M	Din 35 Rail 15 deep unslotted 1 meter	50
	CA701-15-1M-S	Din 35 Rail 15 deep slotted 1 meter	50
	CA701-15-2M	Din 35 Rail 15 deep unslotted 2 meter	50
	CA701-15-2M-S	Din 35 Rail 15 deep slotted 2 meter	50
	CA509/K2	Marking Tag Blank suitable for CDL4U / CDL4U(I,S) / CTL2.5U / CTL2.5UH / CTL2.5UL / CTL2.5HUL / CTL2.5U(I,S) / CTL2.5U(I,S)D2 / CGMT4 / CSFL4U / CSFL4U(L) / CMT4 / CMB4 / ASF4 / ASF4(L) / CTS2.5	100
	SCS0.5/3	Electricians Screwdriver for slotted screws	10

CIRCUIT DIAGRAM



NOTES

- * RJ45 cable available on request.
- ** Module Lengths mentioned are for RAIL Mounting option only. The lengths may vary for PANEL Mounting
- *** PANEL Mounting modules are available on request. Please use the suffix -P with the cat. no. for ordering.

IMRJ45/8/HS



RJ45 Module with Shielded Horizontal RJ45 Connector

- Ease of connection with the use of standard screw connection Terminal Blocks.
- Mounting Options available: DIN Rail mounting & Panel mounting.
- Housed in V0 fire retardant grade PVC mounting track.
- Possibility of having standard / cross over connection using the same module.
- Modules are also available with Non-shielded RJ45 connectors.

GENERAL SPECIFICATION

Ambient Operating Temperature	-20to+50 °C
Housing Colour	Green
Housing Material	PVC / V0 Grade
Mounting Possibility	DIN32 / DIN35 / DIN35-15 / PANEL

CONNECTION SPECIFICATIONS

Type of Connection	Screw Connection
Min. Wire Size	0.5 mm ²
Max. Wire Size	2.5 mm ²
Min. Wire Size(AWG)	30 AWG
Max. Wire Size(AWG)	14 AWG
Wire Stripping Length	8.3 mm
Torque	0.5 Nm
Torque	4.5 lb-in

RJ45 CONNECTOR ORIENTATION

Connector Orientation	Horizontal
Contact Material	phosphor Bronze (internal Dia. 0.46mm)
Contact Plating	Gold Flash Plating Over Nickel
Housing Colour	Black
Housing Material	Glass Filled Polyester UL94V-0
Rated Current	1.5 A
Rated Voltage	125 VAC
Shield Material	0.23 thickness Brass with Nickel Plating

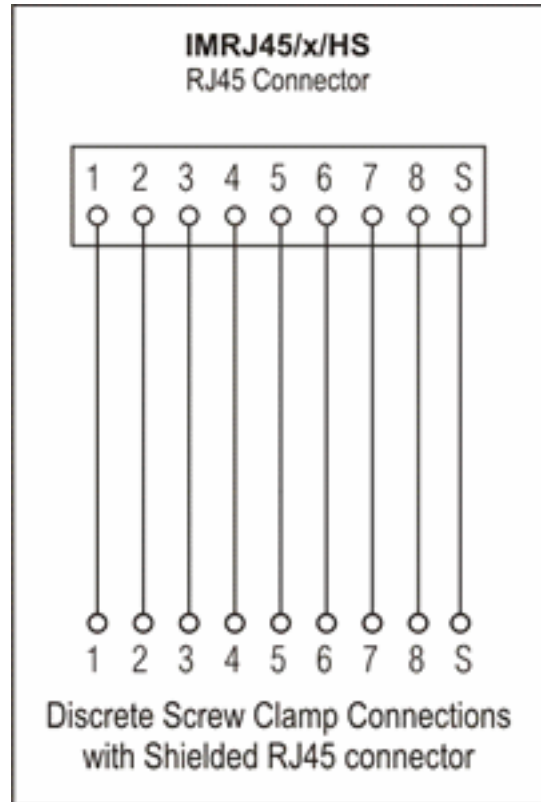
ORDERING INFORMATION

CAT. NO.	DESCRIPTION	NO. OF CHN.	DIM. DET.	STD. PACK
IMRJ45/8/HS	RJ45 module with Horizontal Shielded RJ45 Connector Rail mount	5	36 X 88 X 65	1

ACCESSORIES

IMAGES	CAT. NO.	DESCRIPTION	STD. PACK
	CA501-1M	Din 32 Rail unslotted 1 meter	50
	CA501-1M-S	Din 32 Rail slotted 1 meter	50
	CA501-2M	Din 32 Rail unslotted 2 meter	50
	CA501-2M-S	Din 32 Rail slotted 2 meter	50
	CA701-1M	Din 35 Rail unslotted 1 meter	50
	CA701-2M	Din 35 Rail unslotted 2 meter	50
	CA701-2M-S	Din 35 Rail slotted 2 meter	50
	CA701-1M-S	Din 35 Rail slotted 1 meter	50
	CA701-15-1M	Din 35 Rail 15 deep unslotted 1 meter	50
	CA701-15-1M-S	Din 35 Rail 15 deep slotted 1 meter	50
	CA701-15-2M	Din 35 Rail 15 deep unslotted 2 meter	50
	CA701-15-2M-S	Din 35 Rail 15 deep slotted 2 meter	50
	CA509/K2	Marking Tag Blank suitable for CDL4U / CDL4U(I,S) / CTL2.5U / CTL2.5UH / CTL2.5UL / CTL2.5HUL / CTL2.5U(I,S) / CTL2.5U(I,S)D2 / CGMT4 / CSFL4U / CSFL4U(L) / CMT4 / CMB4 / ASF4 / ASF4(L) / CTS2.5	100
	SCS0.5/3	Electricians Screwdriver for slotted screws	10

CIRCUIT DIAGRAM



NOTES

- * RJ45 cable available on request.
- ** Module Lengths mentioned are for RAIL Mounting option only. The lengths may vary for PANEL Mounting
- *** PANEL Mounting relay modules are available on request. Please use the suffix -P with the cat. no. for ordering.

IMCC/xx



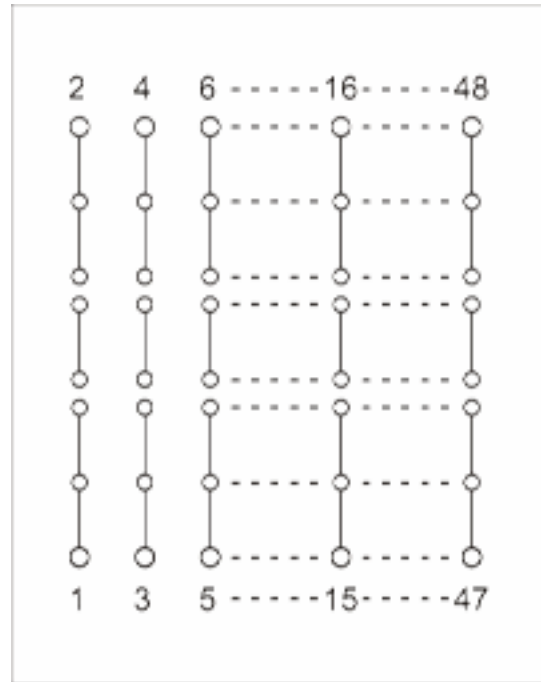
Component Carrier Module

- Ease of connection with the use of standard screw connection Terminal Blocks
- Mounting Options available: DIN Rail mounting & Panel mounting.
- Mounting Holes provided for discrete electronic components.
- Maximum PCB track current rating of 10 A.
- Housed in V0 fire retardant grade PVC mounting track.

GENERAL SPECIFICATION

Ambient Operating Temperature	-20 to 50 °C
Component Mounting Hole Diameter	1.1 mm
Housing Colour	Green
Housing Material	PVC / V0 Grade
Mounting Possibility	DIN32 / DIN35 / DIN35-15 / PANEL

CIRCUIT DIAGRAM



CONNECTION SPECIFICATIONS

Type of Connection	Screw Connection
Min. Wire Size	0.5 mm ²
Max. Wire Size	2.5 mm ²
Min. Wire Size(AWG)	30 AWG
Max. Wire Size(AWG)	14 AWG
Wire Stripping Length	8.3 mm
Torque	0.5 Nm
Torque	4.5 lb-in

ORDERING INFORMATION

CAT. NO.	DESCRIPTION	NO. OF CHN.	DIM. DET.	STD. PACK
IMCC/4	4 Channel Component Carrier Module Rail Mount	1	32 X 88 X 51	4
IMCC/8	8 Channel Component Carrier Module Rail Mount	1	53 X 88 X 51	8
IMCC/12	12 Channel Component Carrier Module Rail Mount	1	73 X 88 X 51	12
IMCC/16	16 Channel Component Carrier Module Rail Mount	1	93 X 88 X 51	16
IMCC/20	20 Channel Component Carrier Module Rail Mount	1	113 X 88 X 51	20
IMCC/24	24 Channel Component Carrier Module Rail Mount	1	133 X 88 X 51	24

ACCESSORIES

IMAGES	CAT. NO.	DESCRIPTION	STD. PACK
	CA501-1M	Din 32 Rail unslotted 1 meter	50
	CA501-1M-S	Din 32 Rail slotted 1 meter	50
	CA501-2M	Din 32 Rail unslotted 2 meter	50
	CA501-2M-S	Din 32 Rail slotted 2 meter	50
	CA701-1M	Din 35 Rail unslotted 1 meter	50
	CA701-2M	Din 35 Rail unslotted 2 meter	50
	CA701-2M-S	Din 35 Rail slotted 2 meter	50
	CA701-1M-S	Din 35 Rail slotted 1 meter	50
	CA701-15-1M	Din 35 Rail 15 deep unslotted 1 meter	50
	CA701-15-1M-S	Din 35 Rail 15 deep slotted 1 meter	50
	CA701-15-2M	Din 35 Rail 15 deep unslotted 2 meter	50
	CA701-15-2M-S	Din 35 Rail 15 deep slotted 2 meter	50
	CA509/K2	Marking Tag Blank suitable for CDL4U / CDL4U(I.S) / CTL2.5U / CTL2.5UH / CTL2.5UL / CTL2.5HUL / CTL2.5U(I.S) / CTL2.5U(I.S)D2 / CGMT4 / CSFL4U / CSFL4U(L) / CMT4 / CMB4 / ASF4 / ASF4(L) / CTS2.5	100
	SCS0.5/3	Electricians Screwdriver for slotted screws	10

NOTES

- * 6 component mounting hole/channel.
- ** Module Lengths mentioned are for RAIL Mounting option only. The lengths may vary for PANEL Mounting
- *** PANEL Mounting modules are available on request. Please use the suffix -P with the cat. no. for ordering.

IMD/S/xx



Standard Individual Diode Module

- Housed in V0 fire retardant grade mounting track.
- Ease of connection with the use of standard screw connection PCB Terminal Blocks.
- Available with individual, common anode and common cathode standard diode configurations.
- Lamp test configurations for DC and AC applications available as standard.
- Mounting options available: DIN Rail mounting & Panel mounting.

GENERAL SPECIFICATION

Ambient Operating Temperature	-20 to 50 °C
Housing Colour	Green
Housing Material	PVC / V0 Grade
Mounting Possibility	DIN32 / DIN35 / DIN35-15 / PANEL

DIODE SPECIFICATIONS

Diode Type	1N4007
Maximum Average Forward Rectified Current	1 A
Maximum DC Blocking Voltage (VDC)	1000 V
Maximum DC Reverse Current at Rated DC Blocking Voltage	500 µA
Maximum Instantaneous Forward Voltage at 1 ADC	1.1 V
Maximum Recurrent Peak Reverse Voltage	1000 V

CONNECTION SPECIFICATIONS

Type of Connection	Screw Connection
Min. Wire Size	0.5 mm ²
Max. Wire Size	2.5 mm ²
Min. Wire Size(AWG)	30 AWG
Max. Wire Size(AWG)	14 AWG
Wire Stripping Length	8.3 mm
Torque	0.5 Nm
Torque	4.5 lb-in

RELAY INPUT / COIL SPECIFICATIONS

Nominal Operating Voltage	1.1V-230V/1A
---------------------------	--------------

ORDERING INFORMATION

CAT. NO.	DESCRIPTION	NO. OF CHN.	DIM. DET.	STD. PACK
IMD/S/4	4 Channel Standard Individual Diode Module Rail Mount	4	79 X 88 X 74	1
IMD/S/8	8 Channel Standard Individual Diode Module Rail Mount	8	148 X 88 X 74	1
IMD/S/12	12 Channel Standard Individual Diode Module Rail Mount	16	289 X 88 X 74	16
IMD/S/16	16 Channel Standard Individual Diode Module Rail Mount	1	31 X 88 X 74	5
IMD/S/20	20 Channel Standard Individual Diode Module Rail Mount	2	55 X 88 X 74	1
IMD/S/24	24 Channel Standard Individual Diode Module Rail Mount	4	100 X 88 X 74	1

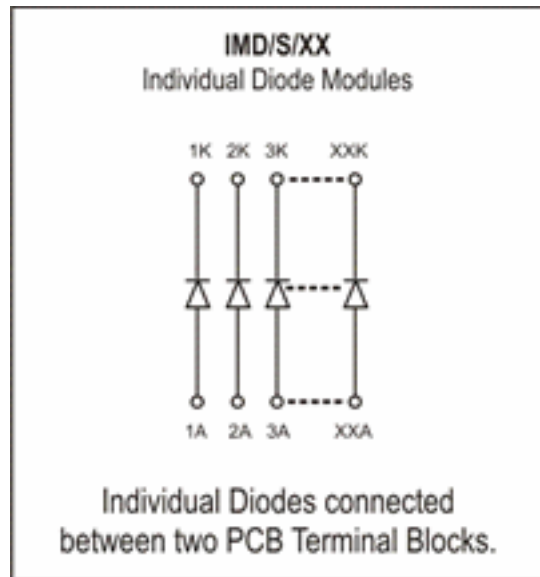
ACCESSORIES

IMAGES	CAT. NO.	DESCRIPTION	STD. PACK
	CA501-1M	Din 32 Rail unslotted 1 meter	50
	CA501-1M-S	Din 32 Rail slotted 1 meter	50
	CA501-2M	Din 32 Rail unslotted 2 meter	50
	CA501-2M-S	Din 32 Rail slotted 2 meter	50
	CA701-1M	Din 35 Rail unslotted 1 meter	50
	CA701-2M	Din 35 Rail unslotted 2 meter	50
	CA701-2M-S	Din 35 Rail slotted 2 meter	50
	CA701-1M-S	Din 35 Rail slotted 1 meter	50

ACCESSORIES....

IMAGES	CAT. NO.	DESCRIPTION	STD. PACK
	CA701-15-1M	Din 35 Rail 15 deep unslotted 1 meter	50
	CA701-15-1M-S	Din 35 Rail 15 deep slotted 1 meter	50
	CA701-15-2M	Din 35 Rail 15 deep unslotted 2 meter	50
	CA701-15-2M-S	Din 35 Rail 15 deep slotted 2 meter	50
	CA509/K2	Marking Tag Blank suitable for CDL4U / CDL4U(I.S) / CTL2.5U / CTL2.5UH / CTL2.5UL / CTL2.5HUL / CTL2.5U(I.S) / CTL2.5U(I.S)D2 / CGMT4 / CSFL4U / CSFL4U(L) / CMT4 / CMB4 / ASF4 / ASF4(L) / CTS2.5(100
	SCS0.5/3	Electricians Screwdriver for slotted screws	10

CIRCUIT DIAGRAM



NOTES

- * Module Lengths mentioned are for RAIL Mounting option only. The lengths may vary for PANEL Mounting
- ** PANEL Mounting modules are available on request. Please use the suffix -P with the cat. no. for ordering.

IMD/CA/xx



Common Anode Diode Module

- Housed in V0 fire retardant grade mounting track.
- Ease of connection with the use of standard screw connection PCB Terminal Blocks.
- Available with individual, common anode and common cathode standard diode configurations.
- Lamp test configurations for DC and AC applications available as standard.
- Mounting options available: DIN Rail mounting & Panel mounting.

GENERAL SPECIFICATION

Ambient Operating Temperature	-20 to 50 °C
Housing Colour	Green
Housing Material	PVC / V0 Grade
Mounting Possibility	DIN32 / DIN35 / DIN35-15 / PANEL

DIODE SPECIFICATIONS

Diode Type	1N4007
Maximum Average Forward Rectified Current	1 A
Maximum DC Blocking Voltage (VDC)	1000 V
Maximum DC Reverse Current at Rated DC Blocking Voltage	500 µA
Maximum Instantaneous Forward Voltage at 1 ADC	1.1 V
Maximum Recurrent Peak Reverse Voltage	1000 V

CONNECTION SPECIFICATIONS

Type of Connection	Screw Connection
Min. Wire Size	0.5 mm ²
Max. Wire Size	2.5 mm ²
Min. Wire Size(AWG)	30 AWG
Max. Wire Size(AWG)	14 AWG
Wire Stripping Length	8.3 mm
Torque	4.5 lb-in
Torque	0.5 Nm

RELAY INPUT / COIL SPECIFICATIONS

Nominal Operating Voltage	1.1V-230V/1A
---------------------------	--------------

ORDERING INFORMATION

CAT. NO.	DESCRIPTION	NO. OF CHN.	DIM. DET.	STD. PACK
IMD/CA/6	6 Channel Common Anode Diode Module Rail Mount	1	32 X 88 X 51	6
IMD/CA/14	14 Channel Common Anode Diode Module Rail Mount	1	53 X 88 X 51	14
IMD/CA/22	22 Channel Common Anode Diode Module Rail Mount	1	73 X 88 X 51	22

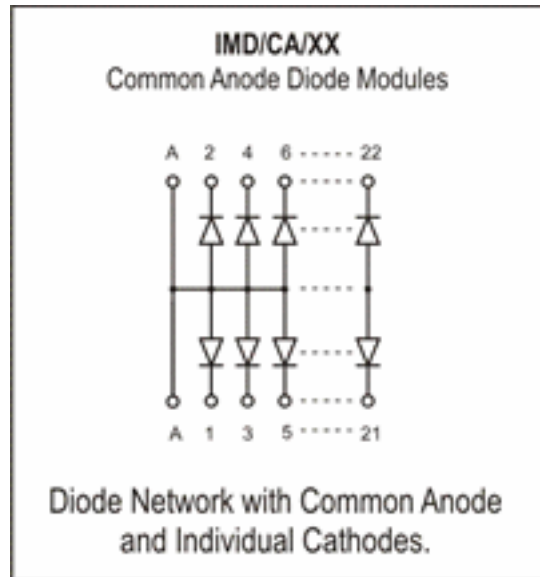
ACCESSORIES

IMAGES	CAT. NO.	DESCRIPTION	STD. PACK
	CA501-1M	Din 32 Rail unslotted 1 meter	50
	CA501-1M-S	Din 32 Rail slotted 1 meter	50
	CA501-2M	Din 32 Rail unslotted 2 meter	50
	CA501-2M-S	Din 32 Rail slotted 2 meter	50
	CA701-1M	Din 35 Rail unslotted 1 meter	50
	CA701-2M	Din 35 Rail unslotted 2 meter	50
	CA701-2M-S	Din 35 Rail slotted 2 meter	50
	CA701-1M-S	Din 35 Rail slotted 1 meter	50
	CA701-15-1M	Din 35 Rail 15 deep unslotted 1 meter	50
	CA701-15-1M-S	Din 35 Rail 15 deep slotted 1 meter	50
	CA701-15-2M	Din 35 Rail 15 deep unslotted 2 meter	50
	CA701-15-2M-S	Din 35 Rail 15 deep slotted 2 meter	50

ACCESSORIES....

IMAGES	CAT. NO.	DESCRIPTION	STD. PACK
	CA509/K2	Marking Tag Blank suitable for CDL4U / CDL4U(I.S) / CTL2.5U / CTL2.5UH / CTL2.5UL / CTL2.5HUL / CTL2.5U(I.S) / CTL2.5U(I.S)D2 / CGMT4 / CSFL4U / CSFL4U(L) / CMT4 / CMB4 / ASF4 / ASF4(L) / CTS2.5(100
	SCS0.5/3	Electricians Screwdriver for slotted screws	10

CIRCUIT DIAGRAM



NOTES

- * Module Lengths mentioned are for RAIL Mounting option only. The lengths may vary for PANEL Mounting
- * PANEL Mounting modules are available on request. Please use the suffix -P with the cat. no. for ordering.

IMD/CK/xx



Common Cathode Diode Module

- Housed in V0 fire retardant grade mounting track.
- Ease of connection with the use of standard screw connection PCB Terminal Blocks.
- Available with individual, common anode and common cathode standard diode configurations.
- Lamp test configurations for DC and AC applications available as standard.
- Mounting options available: DIN Rail mounting & Panel mounting.

GENERAL SPECIFICATION

Ambient Operating Temperature	-20 to 50 °C
Housing Colour	Green
Housing Material	PVC / V0 Grade
Mounting Possibility	DIN32 / DIN35 / DIN35-15 / PANEL

DIODE SPECIFICATIONS

Diode Type	1N4007
Maximum Average Forward Rectified Current	1 A
Maximum DC Blocking Voltage (VDC)	1000 V
Maximum DC Reverse Current at Rated DC Blocking Voltage	500 µA
Maximum Instantaneous Forward Voltage at 1 ADC	1.1 V
Maximum Recurrent Peak Reverse Voltage	1000 V

CONNECTION SPECIFICATIONS

Type of Connection	Screw Connection
Min. Wire Size	0.5 mm ²
Max. Wire Size	2.5 mm ²
Min. Wire Size(AWG)	30 AWG
Max. Wire Size(AWG)	14 AWG
Wire Stripping Length	8.3 mm
Torque	0.5 Nm
Torque	4.5 lb-in

RELAY INPUT / COIL SPECIFICATIONS

Nominal Operating Voltage	1.1V-230V/1A
---------------------------	--------------

ORDERING INFORMATION

CAT. NO.	DESCRIPTION	NO. OF CHN.	DIM. DET.	STD. PACK
IMD/CK/6	6 Channel Common Cathode Diode Module Rail Mount	16	316 X 120 X 65	1
IMD/CK/14	14 Channel Common Cathode Diode Module Rail Mount	16	316 X 120 X 65	1
IMD/CK/22	22 Channel Common Cathode Diode Module Rail Mount	1	23 X 88 X 74	5

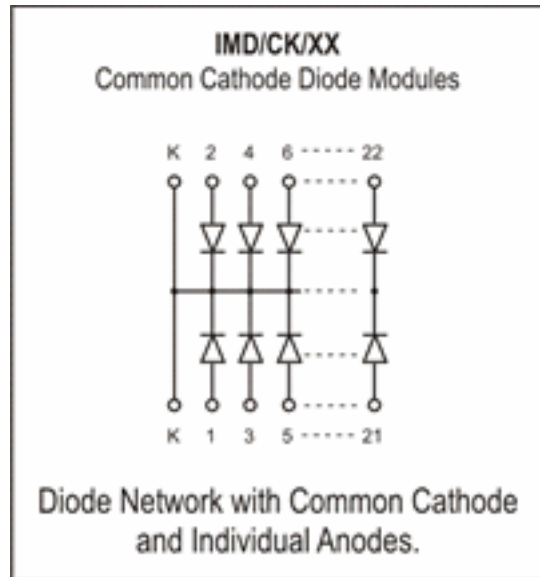
ACCESSORIES

IMAGES	CAT. NO.	DESCRIPTION	STD. PACK
	CA501-1M	Din 32 Rail unslotted 1 meter	50
	CA501-1M-S	Din 32 Rail slotted 1 meter	50
	CA501-2M	Din 32 Rail unslotted 2 meter	50
	CA501-2M-S	Din 32 Rail slotted 2 meter	50
	CA701-1M	Din 35 Rail unslotted 1 meter	50
	CA701-2M	Din 35 Rail unslotted 2 meter	50
	CA701-2M-S	Din 35 Rail slotted 2 meter	50
	CA701-1M-S	Din 35 Rail slotted 1 meter	50
	CA701-15-1M	Din 35 Rail 15 deep unslotted 1 meter	50
	CA701-15-1M-S	Din 35 Rail 15 deep slotted 1 meter	50
	CA701-15-2M	Din 35 Rail 15 deep unslotted 2 meter	50
	CA701-15-2M-S	Din 35 Rail 15 deep slotted 2 meter	50

ACCESSORIES....

IMAGES	CAT. NO.	DESCRIPTION	STD. PACK
	CA509/K2	Marking Tag Blank suitable for CDL4U / CDL4U(I.S) / CTL2.5U / CTL2.5UH / CTL2.5UL / CTL2.5HUL / CTL2.5U(I.S) / CTL2.5U(I.S)D2 / CGMT4 / CSFL4U / CSFL4U(L) / CMT4 / CMB4 / ASF4 / ASF4(L) / CTS2.5()	100
	SCS0.5/3	Electricians Screwdriver for slotted screws	10

CIRCUIT DIAGRAM



NOTES

* Module Lengths mentioned are for RAIL Mounting option only. The lengths may vary for PANEL Mounting
 ** PANEL Mounting relay modules are available on request. Please use the suffix -P with the cat. no. for ordering.

IMDLT/DC/S/xx



Individual DC Lamp Test Module

- Housed in V0 fire retardant grade mounting track.
- Ease of connection with the use of standard screw connection PCB Terminal Blocks.
- Available with individual, common anode and common cathode standard diode configurations.
- Lamp test configurations for DC and AC applications available as standard.
- Mounting options available: DIN Rail mounting & Panel mounting.

GENERAL SPECIFICATION

Ambient Operating Temperature	-20 to 50 °C
Housing Colour	Green
Housing Material	PVC / V0 Grade
Mounting Possibility	DIN32 / DIN35 / DIN35-15 / PANEL

DIODE SPECIFICATIONS

Diode Type	1N4007
Maximum Average Forward Rectified Current	1 A
Maximum DC Blocking Voltage (VDC)	1000 V
Maximum DC Reverse Current at Rated DC Blocking Voltage	500 µA
Maximum Instantaneous Forward Voltage at 1 ADC	1.1 V
Maximum Recurrent Peak Reverse Voltage	1000 V

CONNECTION SPECIFICATIONS

Type of Connection	Screw Connection
Min. Wire Size	0.5 mm ²
Max. Wire Size	2.5 mm ²
Min. Wire Size(AWG)	30 AWG
Max. Wire Size(AWG)	14 AWG
Wire Stripping Length	8.3 mm
Torque	0.5 Nm
Torque	4.5 lb-in

RELAY INPUT / COIL SPECIFICATIONS

Nominal Operating Voltage	1.1V-230V/1A
---------------------------	--------------

ORDERING INFORMATION

CAT. NO.	DESCRIPTION	NO. OF CHN.	DIM. DET.	STD. PACK
IMDLT/DC/S/6	6 Channel Standard Individual DC Lamp Test Module Rail Mount	4	137 X 88 X 74	1
IMDLT/DC/S/5	5 Channel Standard Individual DC Lamp Test Module Rail Mount	8	257 X 88 X 74	1
IMDLT/DC/S/10	10 Channel Standard Individual DC Lamp Test Module Rail Mount	1	23 X 88 X 74	5

ACCESSORIES

IMAGES	CAT. NO.	DESCRIPTION	STD. PACK
	CA501-1M	Din 32 Rail unslotted 1 meter	50
	CA501-1M-S	Din 32 Rail slotted 1 meter	50
	CA501-2M	Din 32 Rail unslotted 2 meter	50
	CA501-2M-S	Din 32 Rail slotted 2 meter	50
	CA701-1M	Din 35 Rail unslotted 1 meter	50
	CA701-2M	Din 35 Rail unslotted 2 meter	50
	CA701-2M-S	Din 35 Rail slotted 2 meter	50
	CA701-1M-S	Din 35 Rail slotted 1 meter	50
	CA701-15-1M	Din 35 Rail 15 deep unslotted 1 meter	50
	CA701-15-1M-S	Din 35 Rail 15 deep slotted 1 meter	50
	CA701-15-2M	Din 35 Rail 15 deep unslotted 2 meter	50
	CA701-15-2M-S	Din 35 Rail 15 deep slotted 2 meter	50

ACCESSORIES....

IMAGES	CAT. NO.	DESCRIPTION	STD. PACK
	CA509/K2	Marking Tag Blank suitable for CDL4U / CDL4U(I.S) / CTL2.5U / CTL2.5UH / CTL2.5UL / CTL2.5HUL / CTL2.5U(I.S) / CTL2.5U(I.S)D2 / CGMT4 / CSFL4U / CSFL4U(L) / CMT4 / CMB4 / ASF4 / ASF4(L) / CTS2.5()	100
	SCS0.5/3	Electricians Screwdriver for slotted screws	10

NOTES

- * Module Lengths mentioned are for RAIL Mounting option only. The lengths may vary for PANEL Mounting
- ** PANEL Mounting relay modules are available on request. Please use the suffix -P with the cat. no. for ordering.

IMDLT/DC/CA/xx



Common Anode DC Lamp Test Module

- Housed in V0 fire retardant grade mounting track.
- Ease of connection with the use of standard screw connection PCB Terminal Blocks.
- Available with individual, common anode and common cathode standard diode configurations.
- Lamp test configurations for DC and AC applications available as standard.
- Mounting options available: DIN Rail mounting & Panel mounting.

GENERAL SPECIFICATION

Ambient Operating Temperature	-20 to 50 °C
Housing Colour	Green
Housing Material	PVC / V0 Grade
Mounting Possibility	DIN32 / DIN35 / DIN35-15 / PANEL

DIODE SPECIFICATIONS

Diode Type	1N4007
Maximum Average Forward Rectified Current	1 A
Maximum DC Blocking Voltage (VDC)	1000 V
Maximum DC Reverse Current at Rated DC Blocking Voltage	500 µA
Maximum Instantaneous Forward Voltage at 1 ADC	1.1 V
Maximum Recurrent Peak Reverse Voltage	1000 V

CONNECTION SPECIFICATIONS

Type of Connection	Screw Connection
Min. Wire Size	0.5 mm ²
Max. Wire Size	2.5 mm ²
Min. Wire Size(AWG)	30 AWG
Max. Wire Size(AWG)	14 AWG
Wire Stripping Length	8.3 mm
Torque	0.5 Nm
Torque	4.5 lb-in

RELAY INPUT / COIL SPECIFICATIONS

Nominal Operating Voltage	1.1V-230V/1A
---------------------------	--------------

ORDERING INFORMATION

CAT. NO.	DESCRIPTION	NO. OF CHN.	DIM. DET.	STD. PACK
IMDLT/DC/CA/5	5 Channel Common Anode DC Lamp Test Module Rail Mount	2	55 X 88 X 74	1
IMDLT/DC/CA/10	10 Channel Common Anode DC Lamp Test Module Rail Mount	4	100 X 88 X 74	1
IMDLT/DC/CA/12	12 Channel Common Anode DC Lamp Test Module Rail Mount	8	193 X 88 X 74	1
IMDLT/DC/CA/16	16 Channel Common Anode DC Lamp Test Module Rail Mount	16	377 X 88 X 74	1

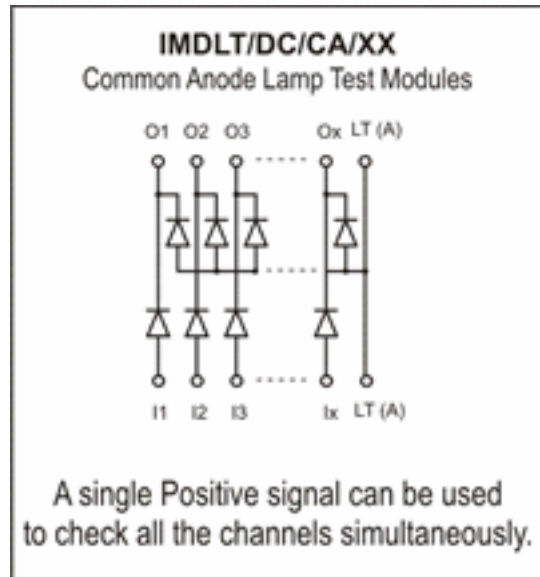
ACCESSORIES

IMAGES	CAT. NO.	DESCRIPTION	STD. PACK
	CA501-1M	Din 32 Rail unslotted 1 meter	50
	CA501-1M-S	Din 32 Rail slotted 1 meter	50
	CA501-2M	Din 32 Rail unslotted 2 meter	50
	CA501-2M-S	Din 32 Rail slotted 2 meter	50
	CA701-1M	Din 35 Rail unslotted 1 meter	50
	CA701-2M	Din 35 Rail unslotted 2 meter	50
	CA701-2M-S	Din 35 Rail slotted 2 meter	50
	CA701-1M-S	Din 35 Rail slotted 1 meter	50
	CA701-15-1M	Din 35 Rail 15 deep unslotted 1 meter	50
	CA701-15-1M-S	Din 35 Rail 15 deep slotted 1 meter	50
	CA701-15-2M	Din 35 Rail 15 deep unslotted 2 meter	50
	CA701-15-2M-S	Din 35 Rail 15 deep slotted 2 meter	50

ACCESSORIES....

IMAGES	CAT. NO.	DESCRIPTION	STD. PACK
	CA509/K2	Marking Tag Blank suitable for CDL4U / CDL4U(I,S) / CTL2.5U / CTL2.5UH / CTL2.5UL / CTL2.5UL(I,S) / CGMT4 / CSFL4U / CSFL4U(L) / CMT4 / CMB4 / ASF4 / ASF4(L) / CTS2.5(100
	SCS0.5/3	Electricians Screwdriver for slotted screws	10

CIRCUIT DIAGRAM



NOTES

- * Module Lengths mentioned are for RAIL Mounting option only. The lengths may vary for PANEL Mounting
- ** PANEL Mounting relay modules are available on request. Please use the suffix -P with the cat. no. for ordering.

IMDLT/DC/CK/xx



Common Cathode DC Lamp Test Module

- Housed in V0 fire retardant grade mounting track.
- Ease of connection with the use of standard screw connection PCB Terminal Blocks.
- Available with individual, common anode and common cathode standard diode configurations.
- Lamp test configurations for DC and AC applications available as standard.
- Mounting options available: DIN Rail mounting & Panel mounting.

GENERAL SPECIFICATION

Ambient Operating Temperature	-20 to 50 °C
Housing Colour	Green
Housing Material	PVC / V0 Grade
Mounting Possibility	DIN32 / DIN35 / DIN35-15 / PANEL

DIODE SPECIFICATIONS

Diode Type	1N4007
Maximum Average Forward Rectified Current	1 A
Maximum DC Blocking Voltage (VDC)	1000 V
Maximum DC Reverse Current at Rated DC Blocking Voltage	500 µA
Maximum Instantaneous Forward Voltage at 1 ADC	1.1 V
Maximum Recurrent Peak Reverse Voltage	1000 V

CONNECTION SPECIFICATIONS

Type of Connection	Screw Connection
Min. Wire Size	0.5 mm ²
Max. Wire Size	2.5 mm ²
Min. Wire Size(AWG)	30 AWG
Max. Wire Size(AWG)	14 AWG
Wire Stripping Length	8.3 mm
Torque	0.5 Nm
Torque	4.5 lb-in

RELAY INPUT / COIL SPECIFICATIONS

Nominal Operating Voltage	1.1V-230V/1A
---------------------------	--------------

ORDERING INFORMATION

CAT. NO.	DESCRIPTION	NO. OF CHN.	DIM. DET.	STD. PACK
IMDLT/DC/CK/5	5 Channel Common Cathode DC Lamp Test Module Rail Mount	8	148 X 88 X 74	1
IMDLT/DC/CK/10	10 Channel Common Cathode DC Lamp Test Module Rail Mount	16	289 X 88 X 74	1
IMDLT/DC/CK/12	12 Channel Common Cathode DC Lamp Test Module Rail Mount	1	23 X 88 X 74	5

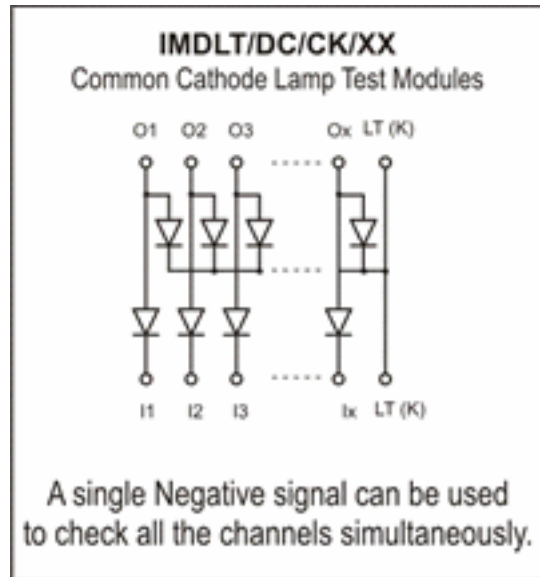
ACCESSORIES

IMAGES	CAT. NO.	DESCRIPTION	STD. PACK
	CA501-1M	Din 32 Rail unslotted 1 meter	50
	CA501-1M-S	Din 32 Rail slotted 1 meter	50
	CA501-2M	Din 32 Rail unslotted 2 meter	50
	CA501-2M-S	Din 32 Rail slotted 2 meter	50
	CA701-1M	Din 35 Rail unslotted 1 meter	50
	CA701-2M	Din 35 Rail unslotted 2 meter	50
	CA701-2M-S	Din 35 Rail slotted 2 meter	50
	CA701-1M-S	Din 35 Rail slotted 1 meter	50
	CA701-15-1M	Din 35 Rail 15 deep unslotted 1 meter	50
	CA701-15-1M-S	Din 35 Rail 15 deep slotted 1 meter	50
	CA701-15-2M	Din 35 Rail 15 deep unslotted 2 meter	50
	CA701-15-2M-S	Din 35 Rail 15 deep slotted 2 meter	50

ACCESSORIES....

IMAGES	CAT. NO.	DESCRIPTION	STD. PACK
	CA509/K2	Marking Tag Blank suitable for CDL4U / CDL4U(I.S) / CTL2.5U / CTL2.5UH / CTL2.5UL / CTL2.5HUL / CTL2.5U(I.S) / CTL2.5U(I.S)D2 / CGMT4 / CSFL4U / CSFL4U(L) / CMT4 / CMB4 / ASF4 / ASF4(L) / CTS2.5(100
	SCS0.5/3	Electricians Screwdriver for slotted screws	10

CIRCUIT DIAGRAM



NOTES

- * Module Lengths mentioned are for RAIL Mounting option only. The lengths may vary for PANEL Mounting
- ** PANEL Mounting relay modules are available on request. Please use the suffix -P with the cat. no. for ordering.